

ROOFTOP UNIT

TA-4040 • 12V

TA-4041 • 24V

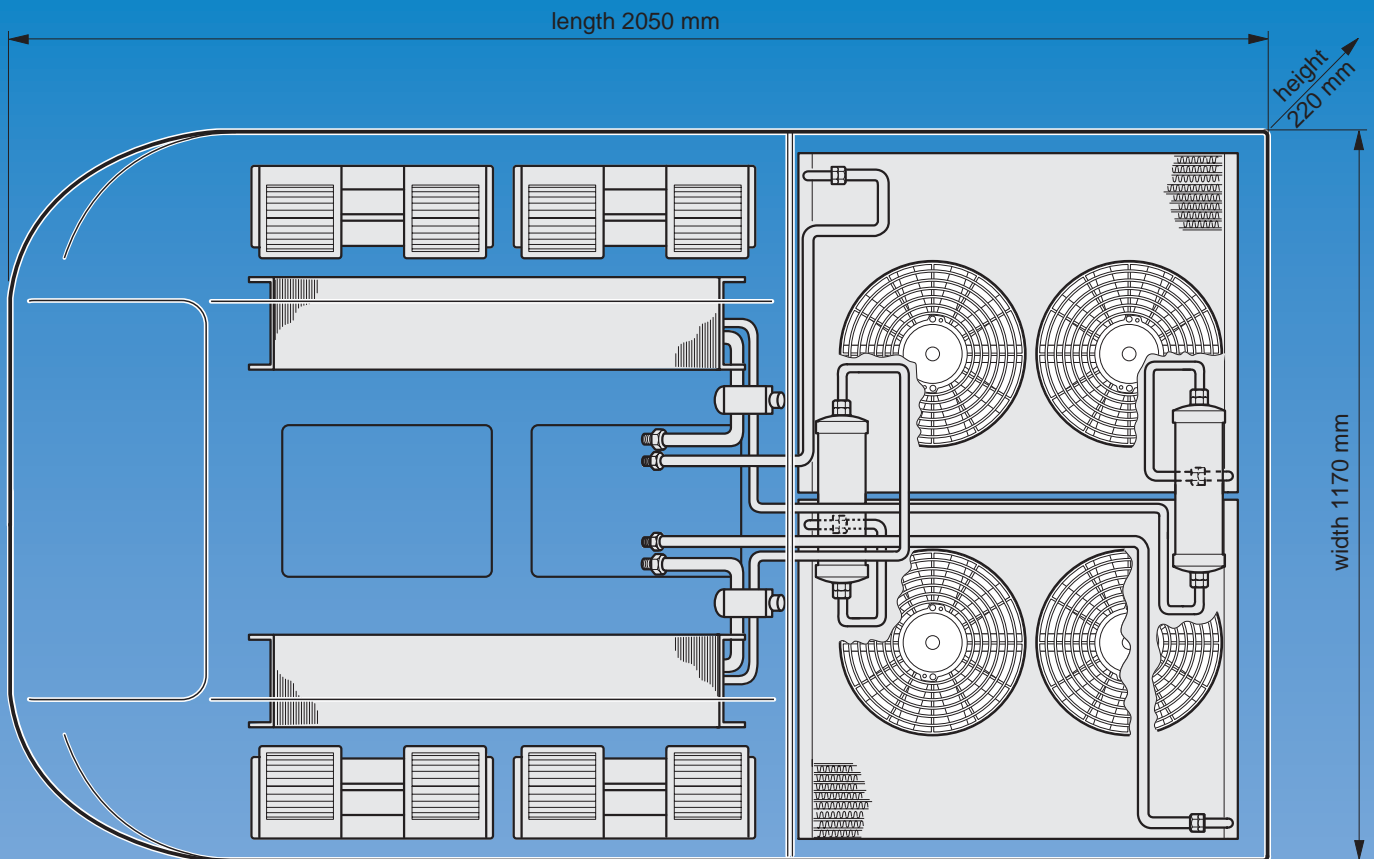


- **High Cooling Capacity**
- **Low Power Consumption**
- **Small Dimensions**
- **Low Weight**
- **Parallel Flow Condenser**
- **Aluminum Body**
- **ABS Acrylic Cover**



TA-4040 • 12V • p.n. 4500-040

TA-4041 • 24V • p.n. 4500-041



NOMINAL TECHNICAL DATA:

Cooling Capacity : 17 Kw

Working Voltage : 12V d.c. / 24V d.c.

Power Consumption : 88A - 12V / 44A - 24V

Airflow (at Zero Static Pressure) : 3200 m³/h

Weight : 75 Kg

Recommended Compressors : 2 X EFUP170HD

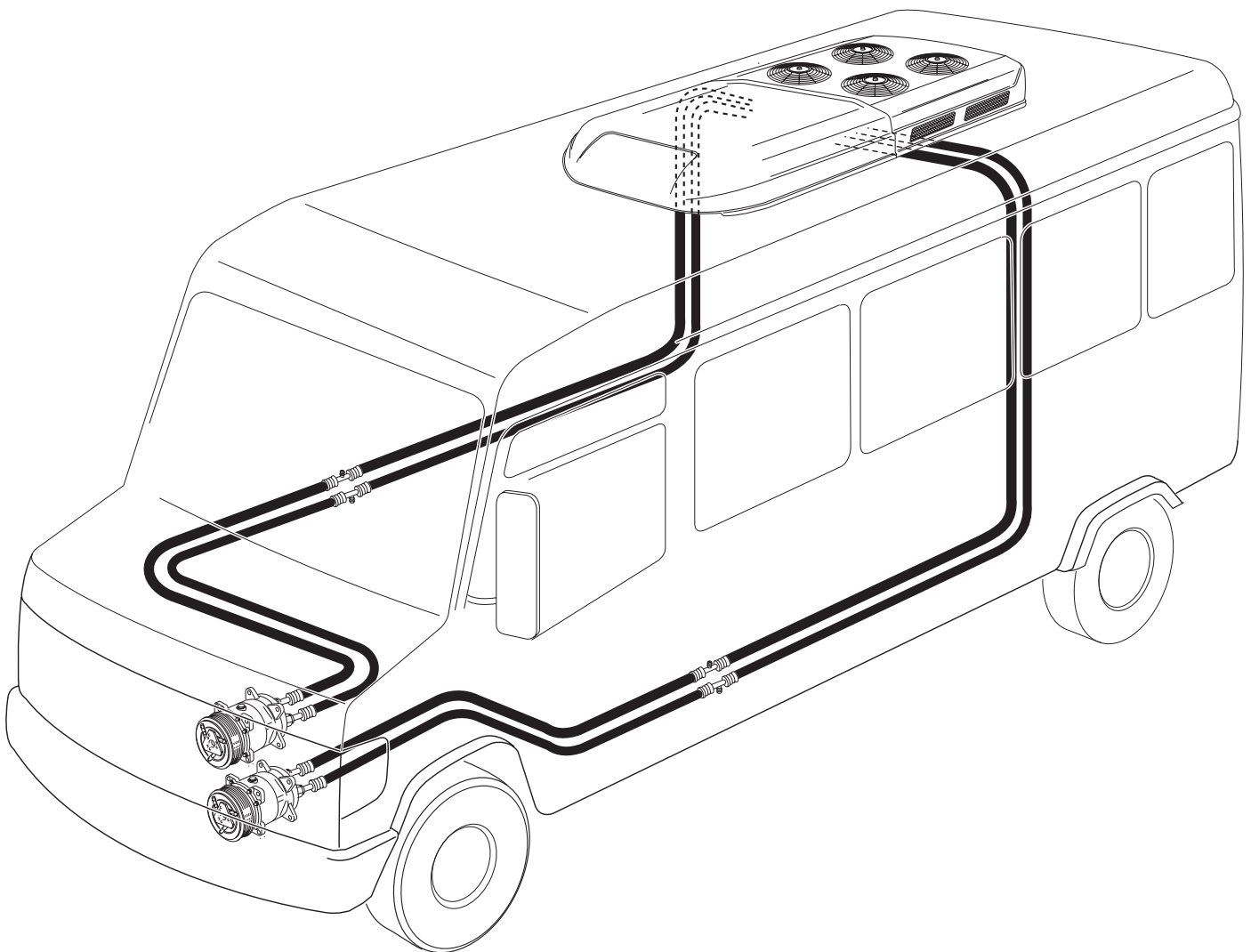




TA-40
ROOFTOP UNIT
12V

TA-4040 • 12V

TA-4041 • 24V



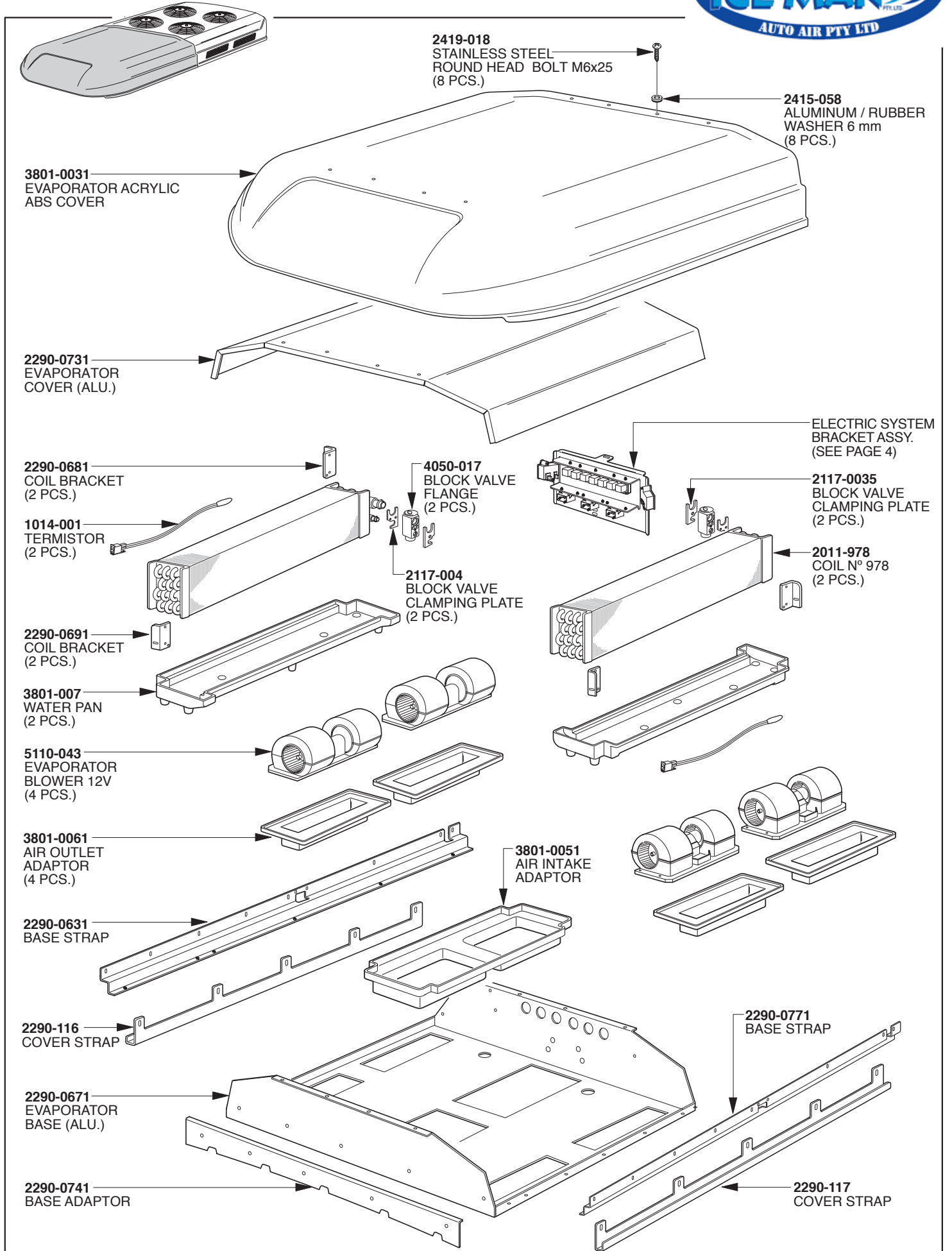
Refrigerant : R-134a.

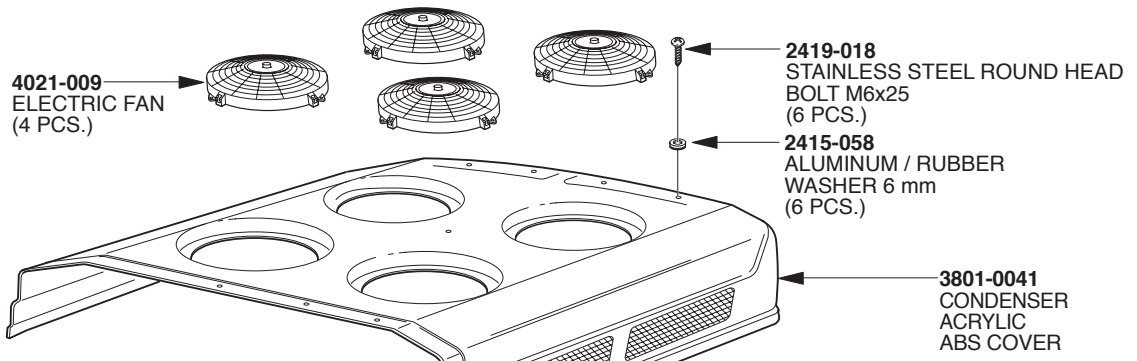
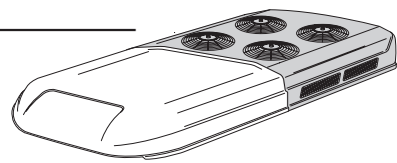
Refrigerant charge : 1600 ± 100 gr.

Oil : SP-20.

Oil charge : 100 cc for each compressor (In addition to the existing oil in the compressors).

TA-4040 • Rooftop Unit 12V • 4500-040





2284-355 ELECTRIC FAN BRACKET (8 PCS.)

3030-434 ALUMINUM TUBE 9.5mm

3030-409 ALUMINUM TUBE 9.5mm

3030-408 ALUMINUM TUBE 12.5mm

3030-405 ALUMINUM TUBE 16mm

3030-406 ALUMINUM TUBE 16mm

2010-954 CONDENSER (2 PCS.)

2290-0611 CONDENSER BRACKET (4 PCS.)

2292-132 RIGHT COVER BRACKET

2290-075 TUBES COVER

2290-0641 CONDENSER BASE (ALU.)

3030-410 ALUMINUM TUBE 9.5mm (2 PCS.)

3030-407 ALUMINUM TUBE 12.5mm

2290-076 RECEIVER DRIER BRACKET (2 PCS.)

5210-014 RECEIVER DRIER (2 PCS.)

1050-006 TRINARY SWITCH (2 PCS.)

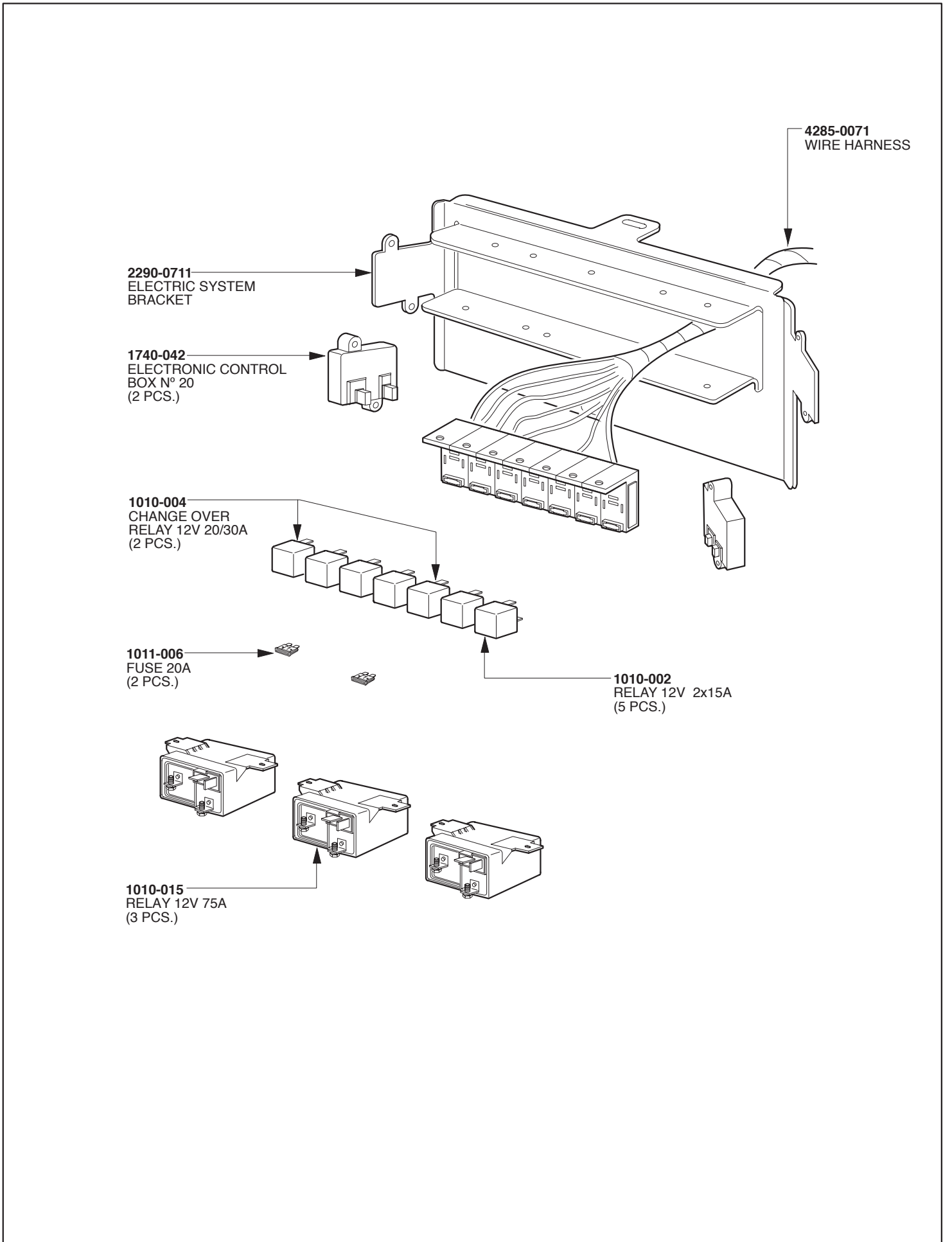
2290-0661 CONDENSER COVER SUPPORT

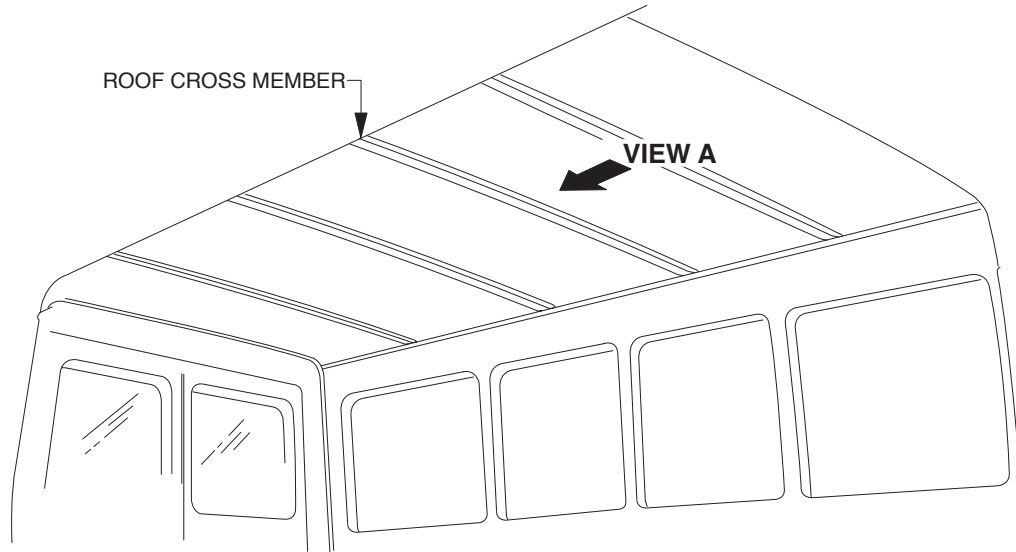
2290-0741 BASE ADAPTOR

2471-545 HEXAGON SPACER

2292-133 LEFT COVER BRACKET

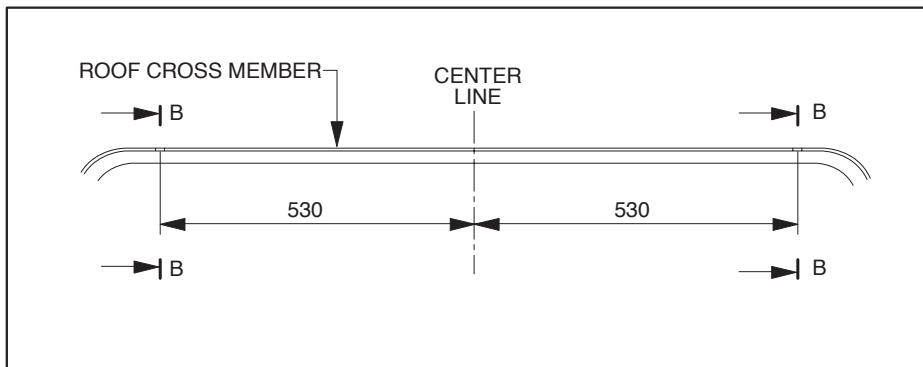
2290-0651 CONDENSER BASE COVER (2 PCS.)





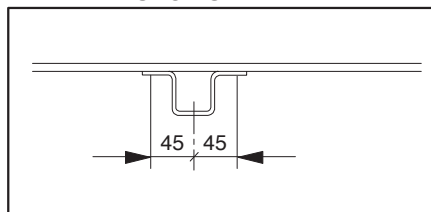
BEST AIRFLOW DISTRIBUTION WILL BE ACHIEVED IF THE EVAPORATORS WILL BE LOCATED AT THE MIDDLE OF THE VEHICLE. TRACE THE ROOF CROSS MEMBER WHICH WILL BE EXACTLY IN THE MIDDLE OF THE EVAPORATORS, SO WHILE CUTTING OUT THE 6 OPENINGS FOR AIR INTAKE AND AIR OUTLET THE ROOF CROSS MEMBER WILL STAY UNTOUCHED.

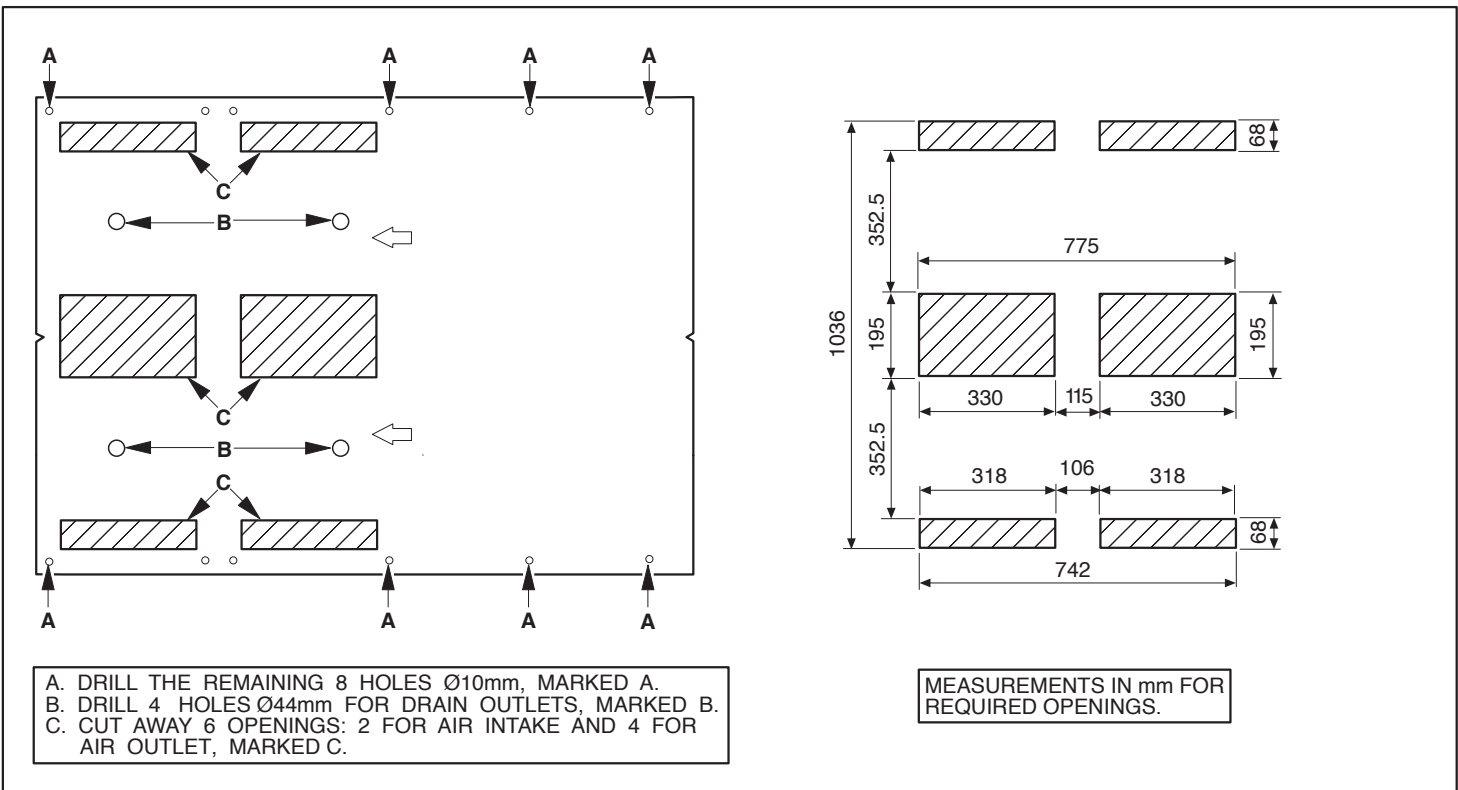
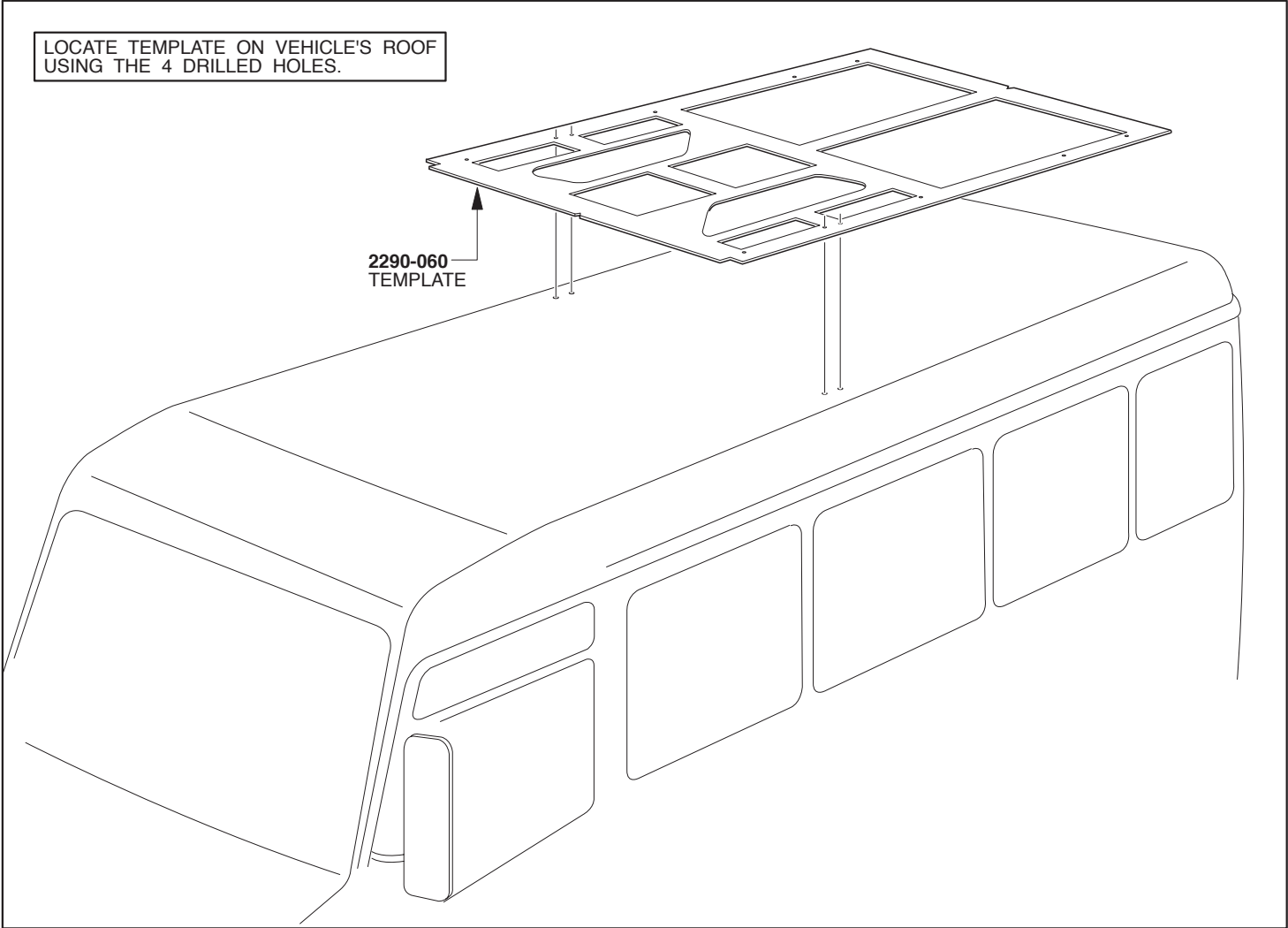
VIEW A



MARK AND DRILL 4 HOLES Ø10mm FOR LOCATING TEMPLATE. HOLES SHOULD BE 530mm FROM CENTER LINE AND 45mm FROM CENTER OF ROOF CROSS MEMBER.

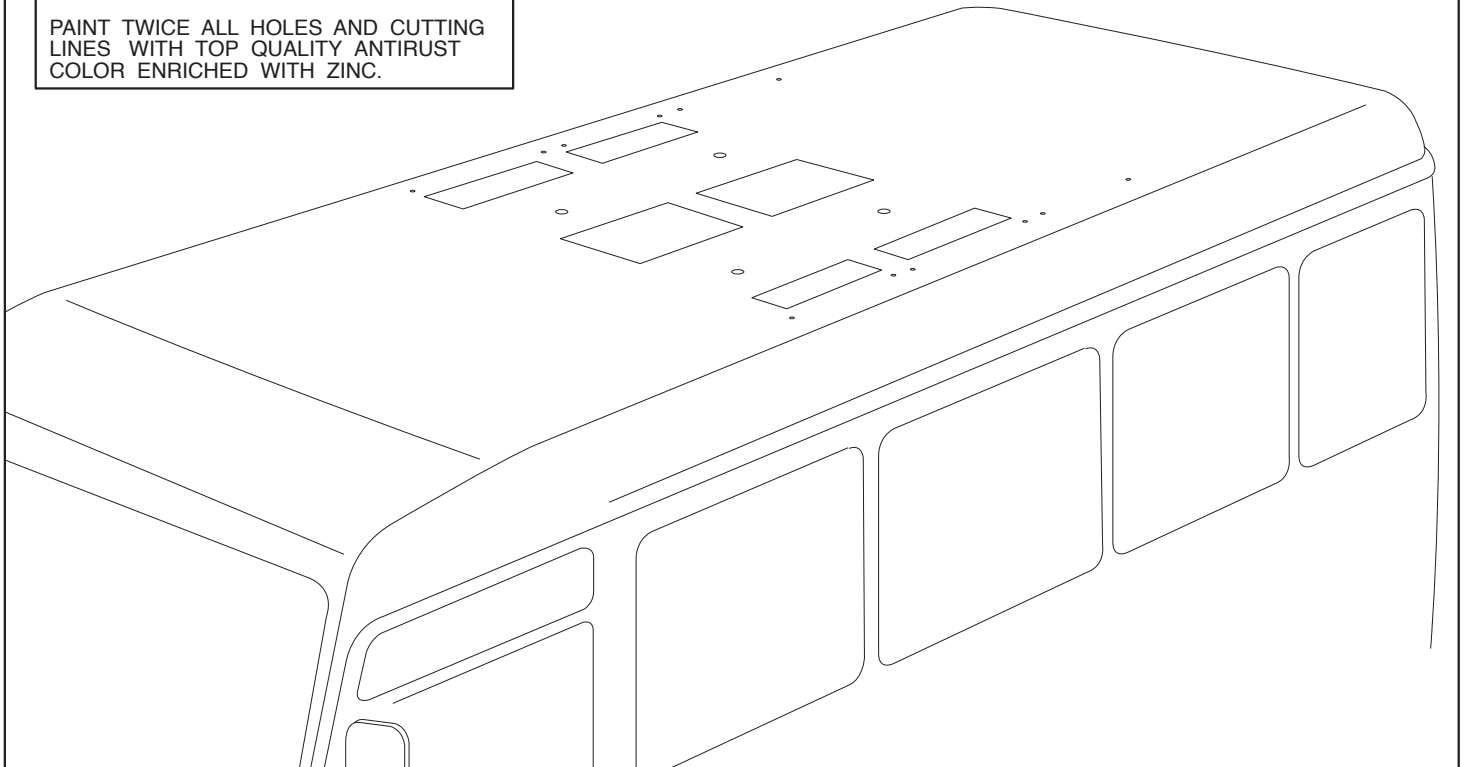
SECTION B-B



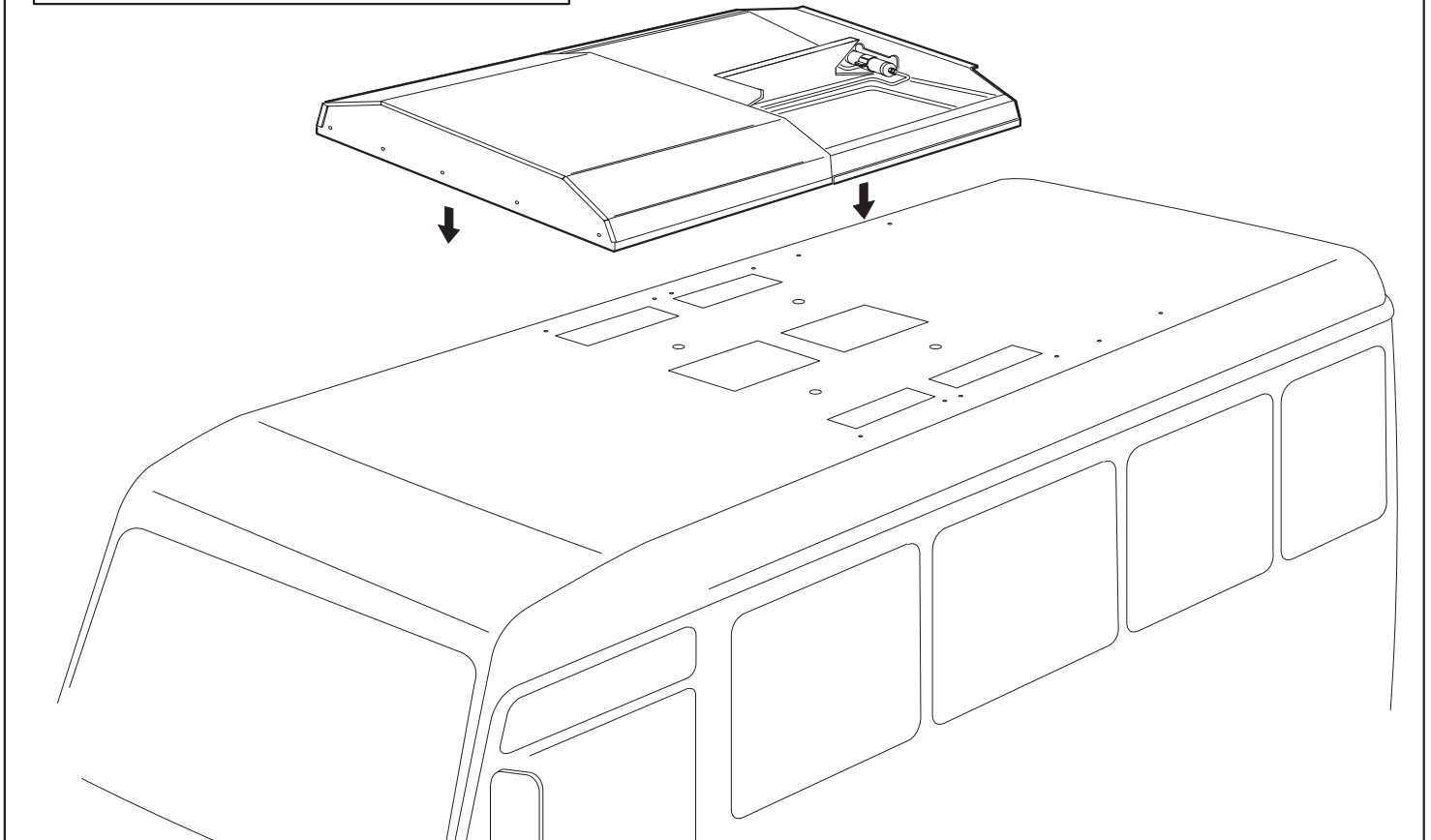


CLEAN CAREFULLY ROOF'S SURFACE TO ALLOW GOOD CONTACT OF SIKAFLEX.

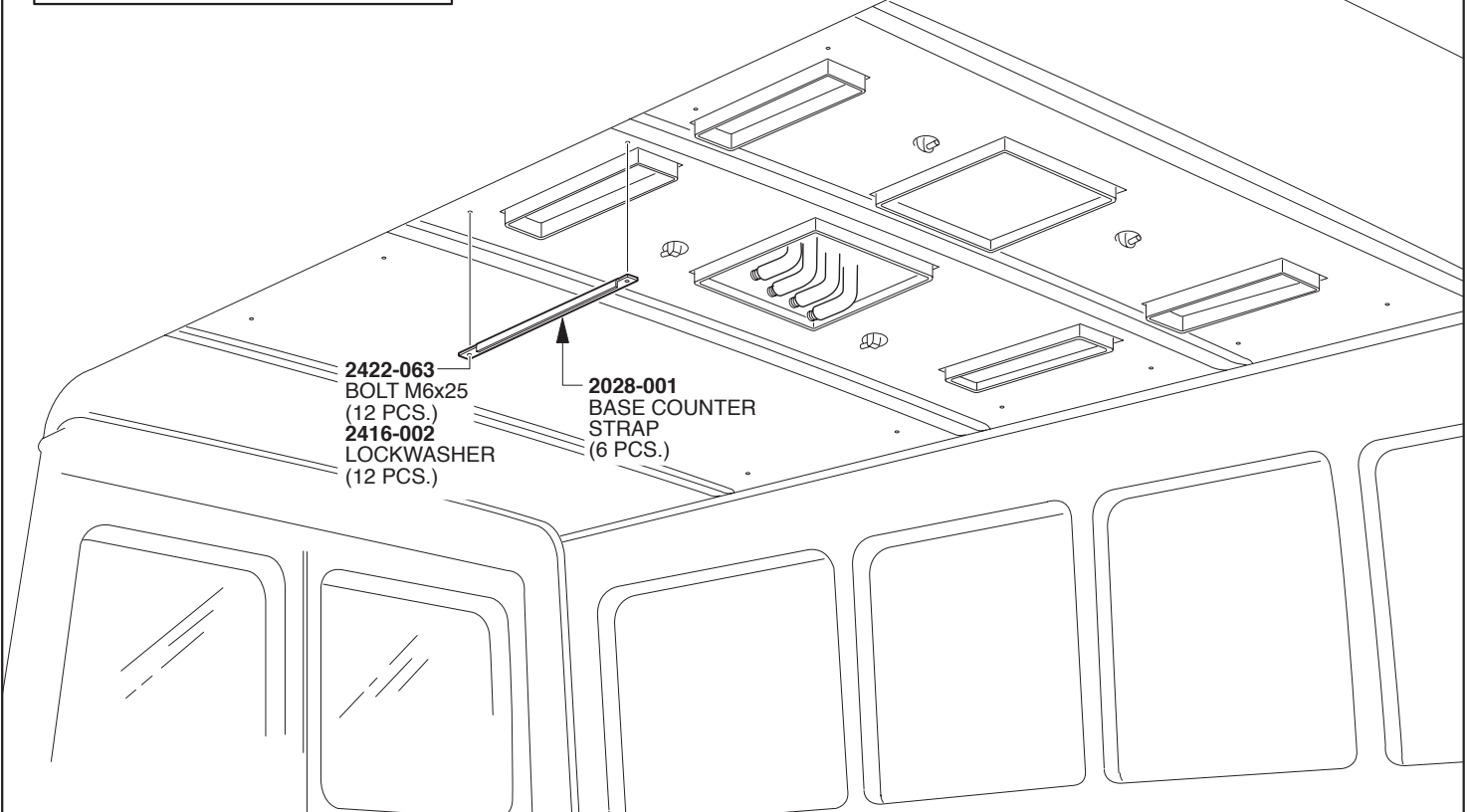
PAINT TWICE ALL HOLES AND CUTTING LINES WITH TOP QUALITY ANTIRUST COLOR ENRICHED WITH ZINC.



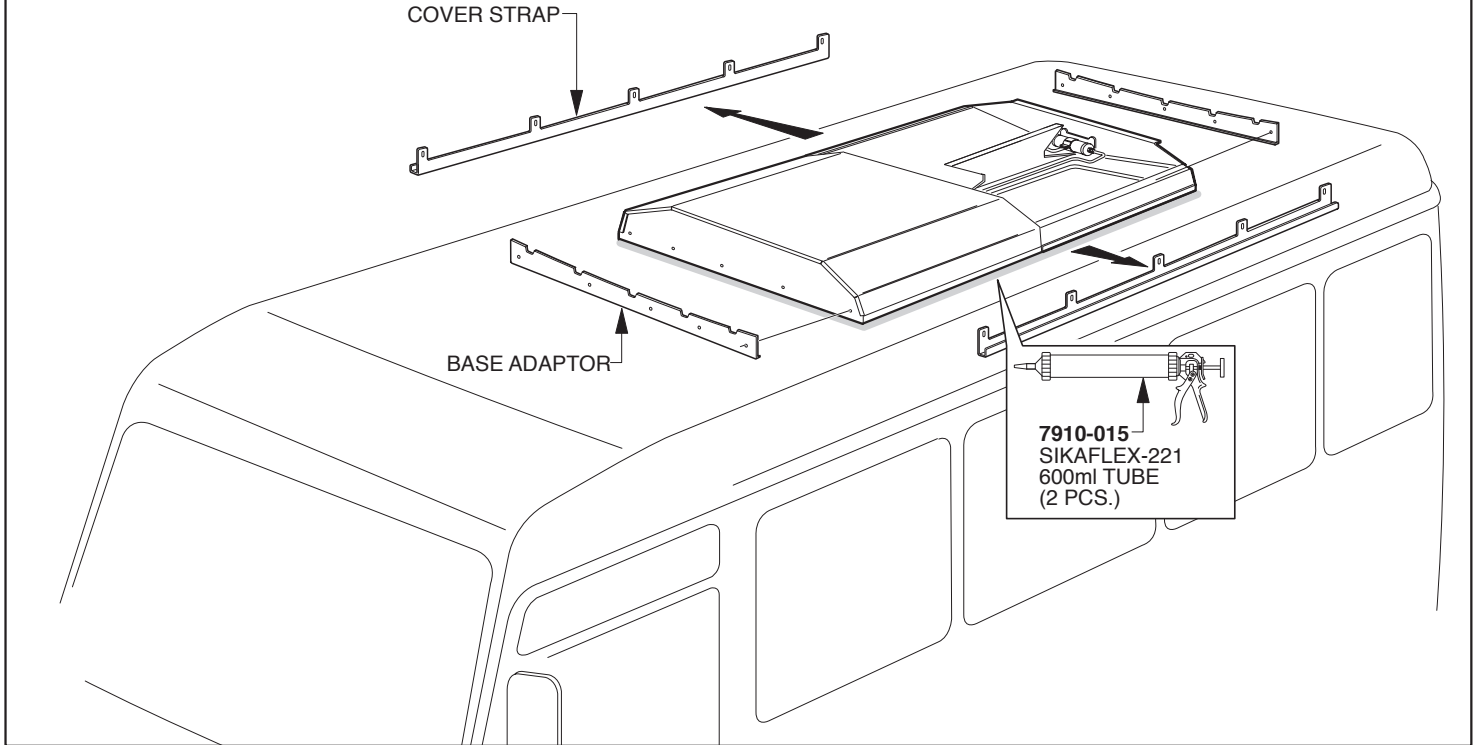
LOCATE GENTLY THE ROOFTOP UNIT IN PLACE.



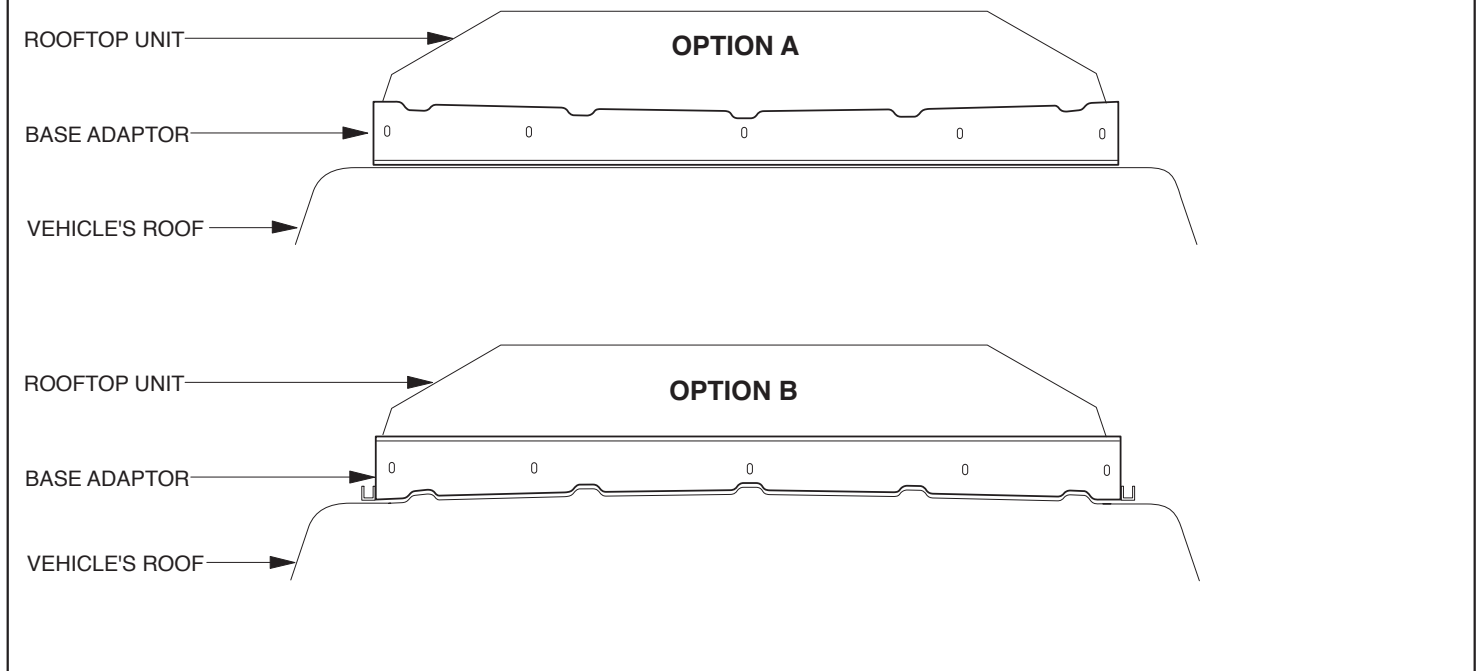
INSTALL 6 BASE COUNTER STRAPS.



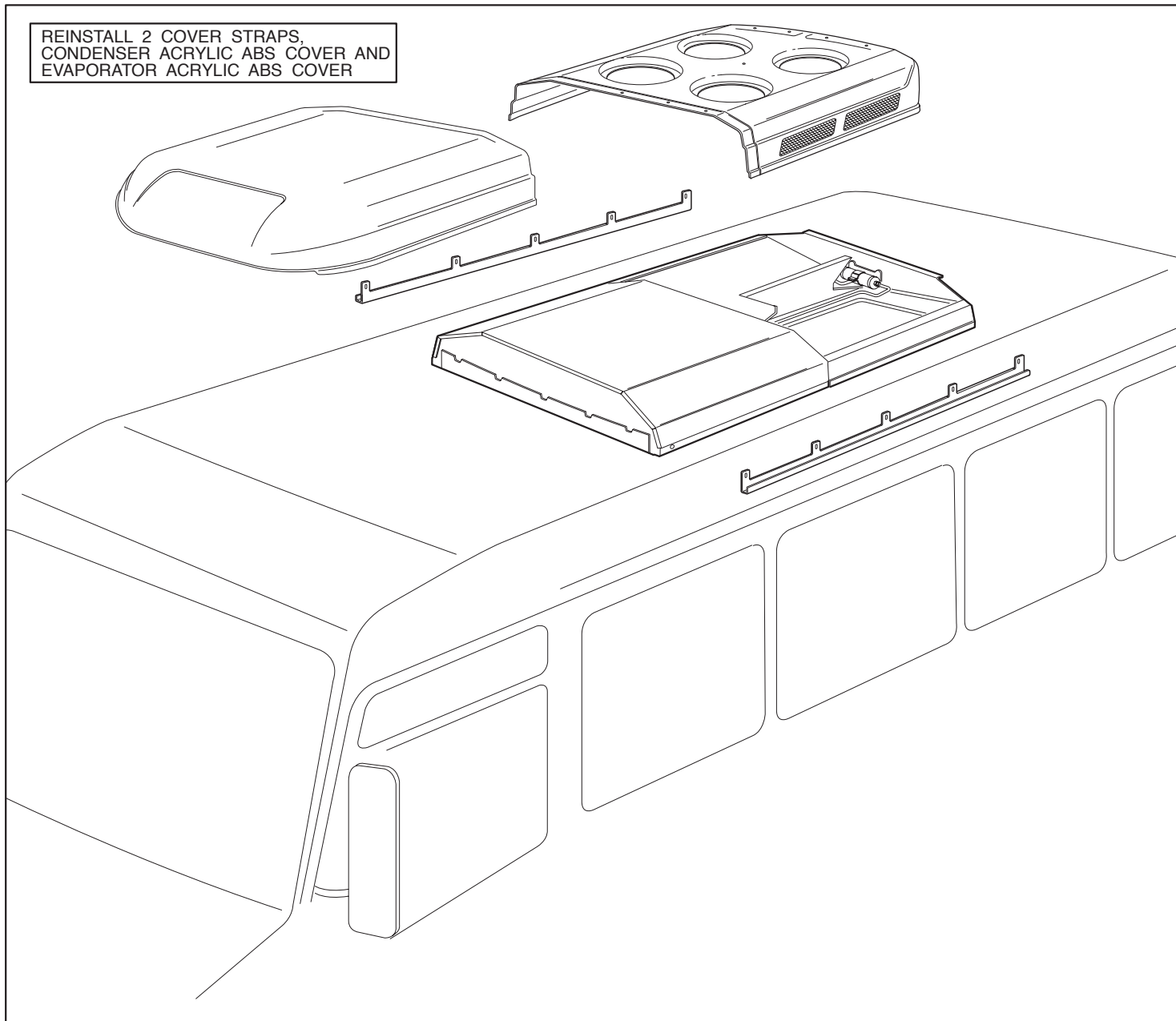
DISMANTLE 2 COVER STRAPS.
INSTALL 2 BASE ADAPTORS,
APPLY SIKAFLEX ALL AROUND THE UNIT.



2 OPTIONS FOR BASE ADAPTORS INSTALLATION:
OPTION A: FOR MOST VEHICLES.
OPTION B: FOR VW LT AND MERCEDES SPRINTER.

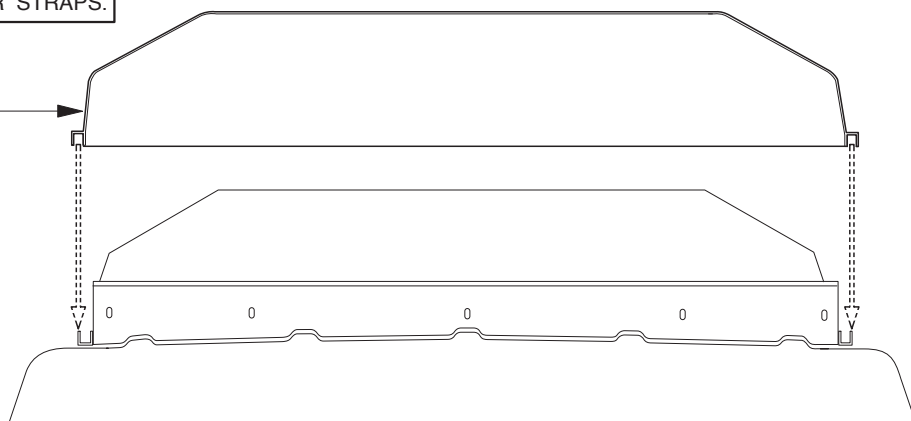


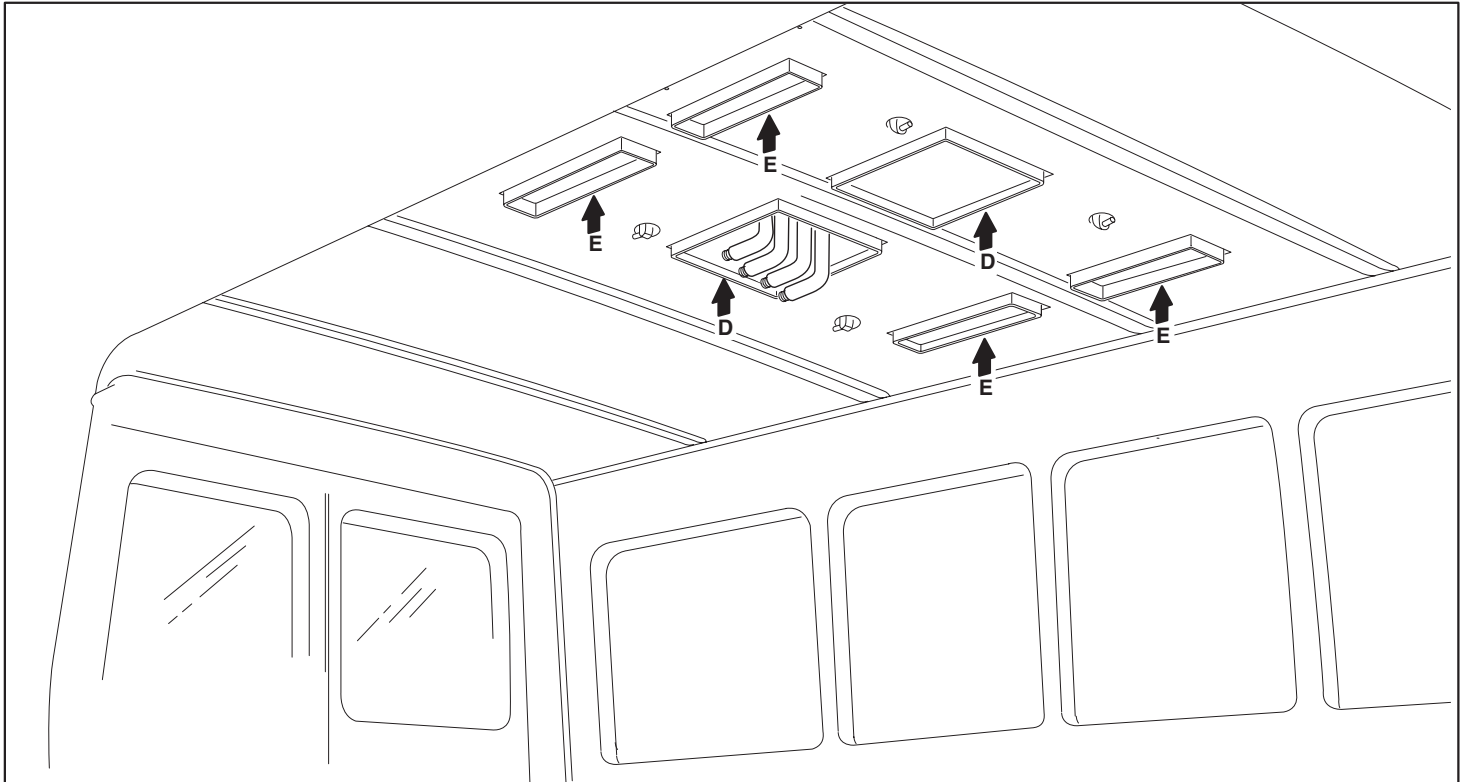
REINSTALL 2 COVER STRAPS.
CONDENSER ACRYLIC ABS COVER AND
EVAPORATOR ACRYLIC ABS COVER



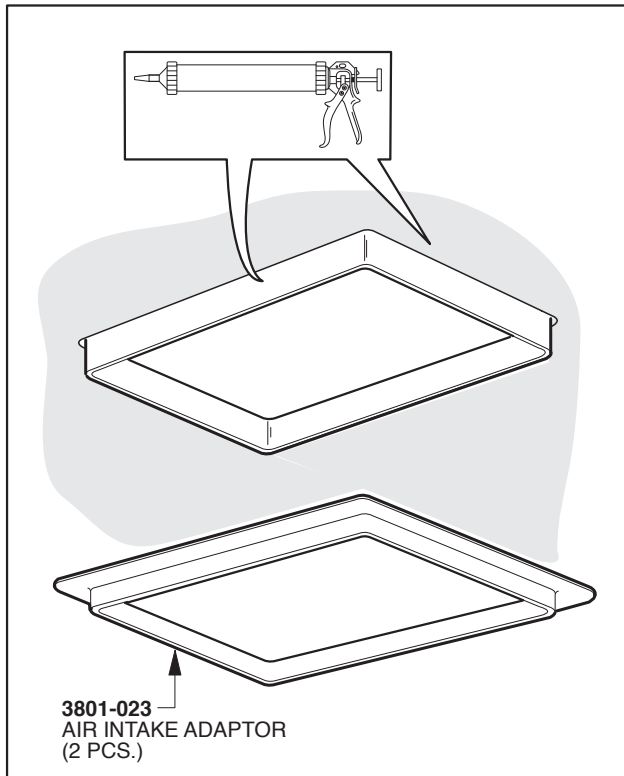
MAKE SURE COVER'S SLOTS ARE
INSERTED INTO THE COVER STRAPS.

CONDENSER & EVAPORATOR
ACRYLIC ABS COVERS

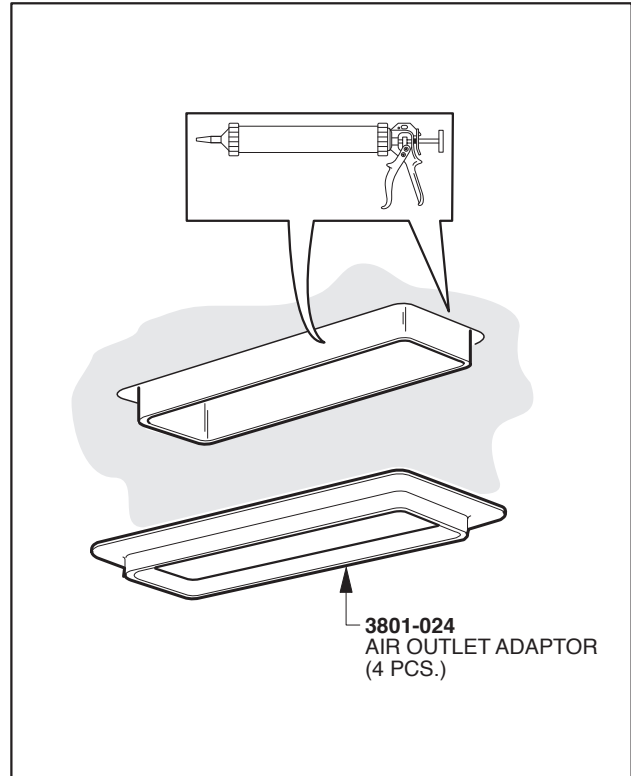




DETAIL D



DETAIL E



INSTALL 2 AIR INTAKE ADAPTORS AND 4 AIR OUTLET ADAPTORS USING SIKAFLEX .

