

ROOFTOP UNIT

TA-3030 • 12V

TA-3031 • 24V

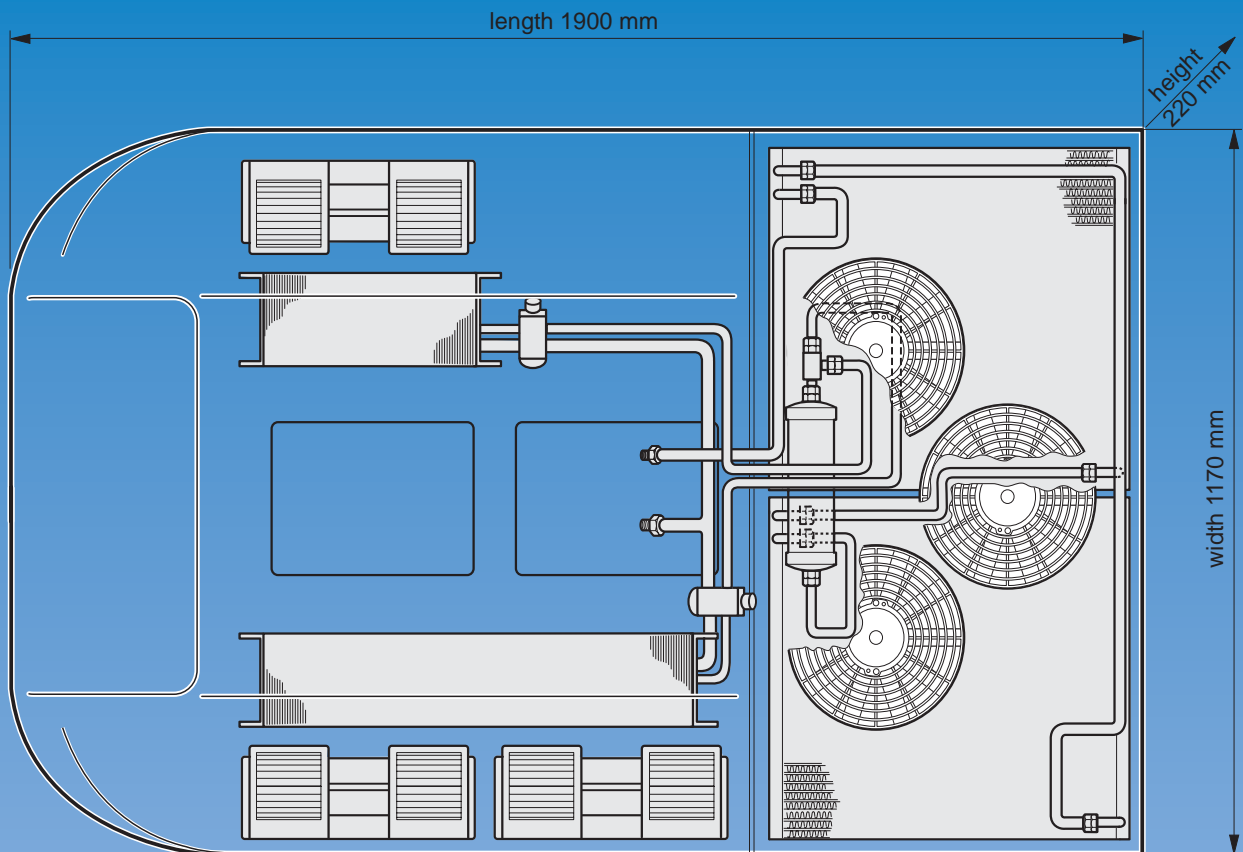


- **High Cooling Capacity**
- **Low Power Consumption**
- **Small Dimensions**
- **Low Weight**
- **Parallel Flow Condenser**
- **Aluminum Body**
- **ABS Acrylic Cover**



TA-3030 • 12V • p.n. 4500-030

TA-3031 • 24V • p.n. 4500-031



NOMINAL TECHNICAL DATA:

Cooling Capacity : 13 Kw

Working Voltage : 12V d.c. / 24V d.c.

Power Consumption : 66A - 12V / 33A - 24V

Airflow (at Zero Static Pressure) : 2400 m³/h

Weight : 64 Kg

Recommended Compressor : EFUP170HD

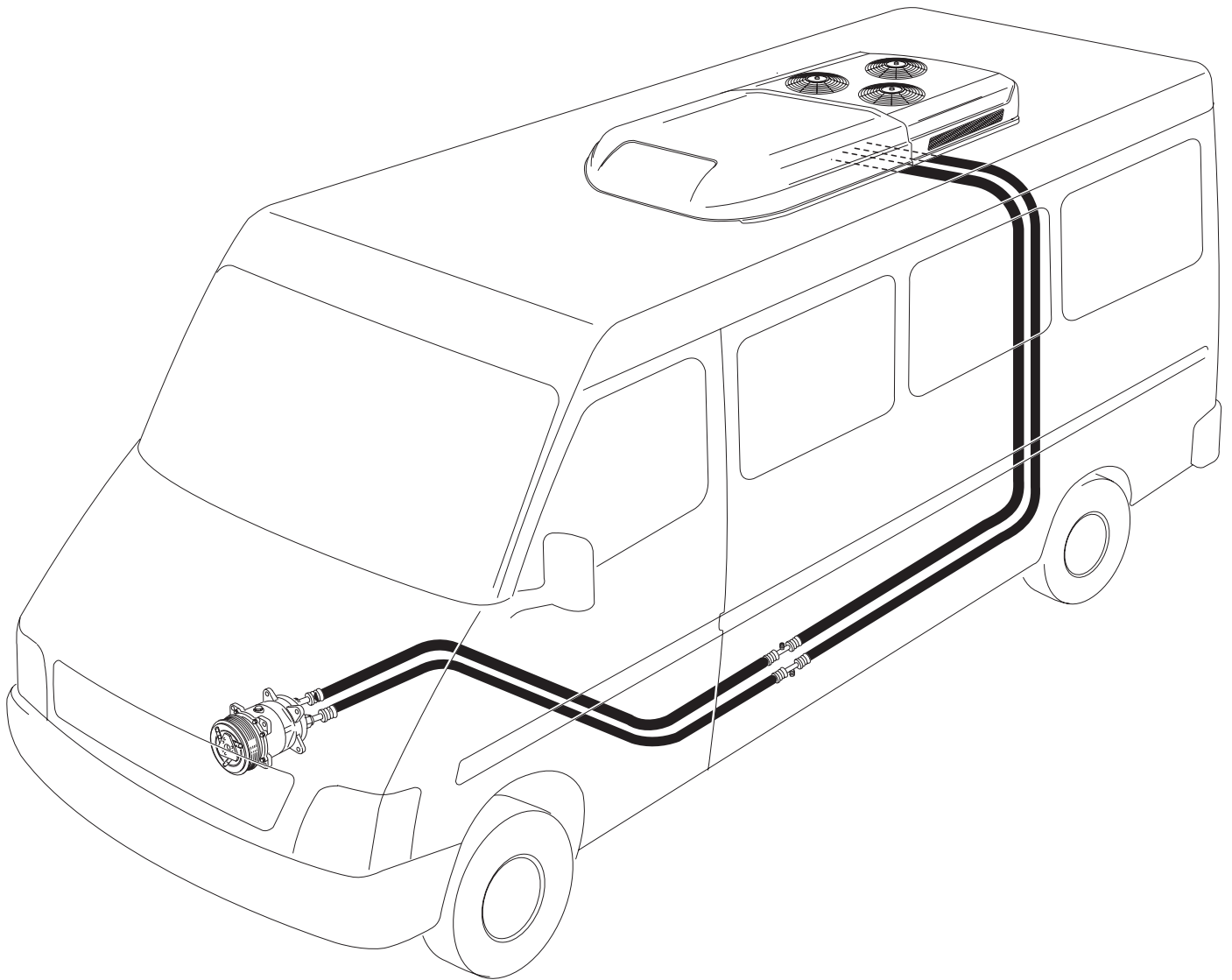




TA-30
ROOFTOP UNIT
12V

TA-3030 • 12V

TA-3031 • 24V

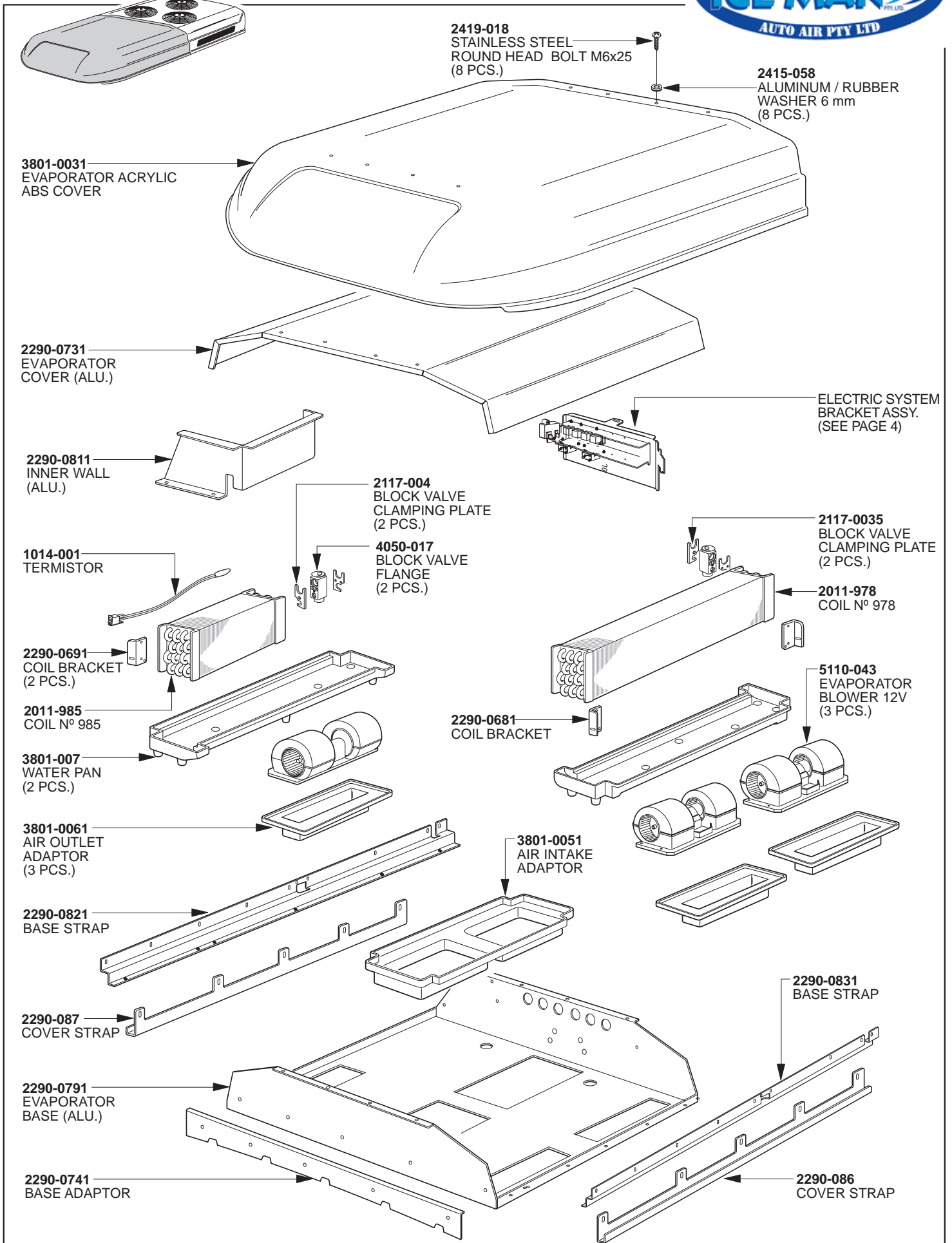


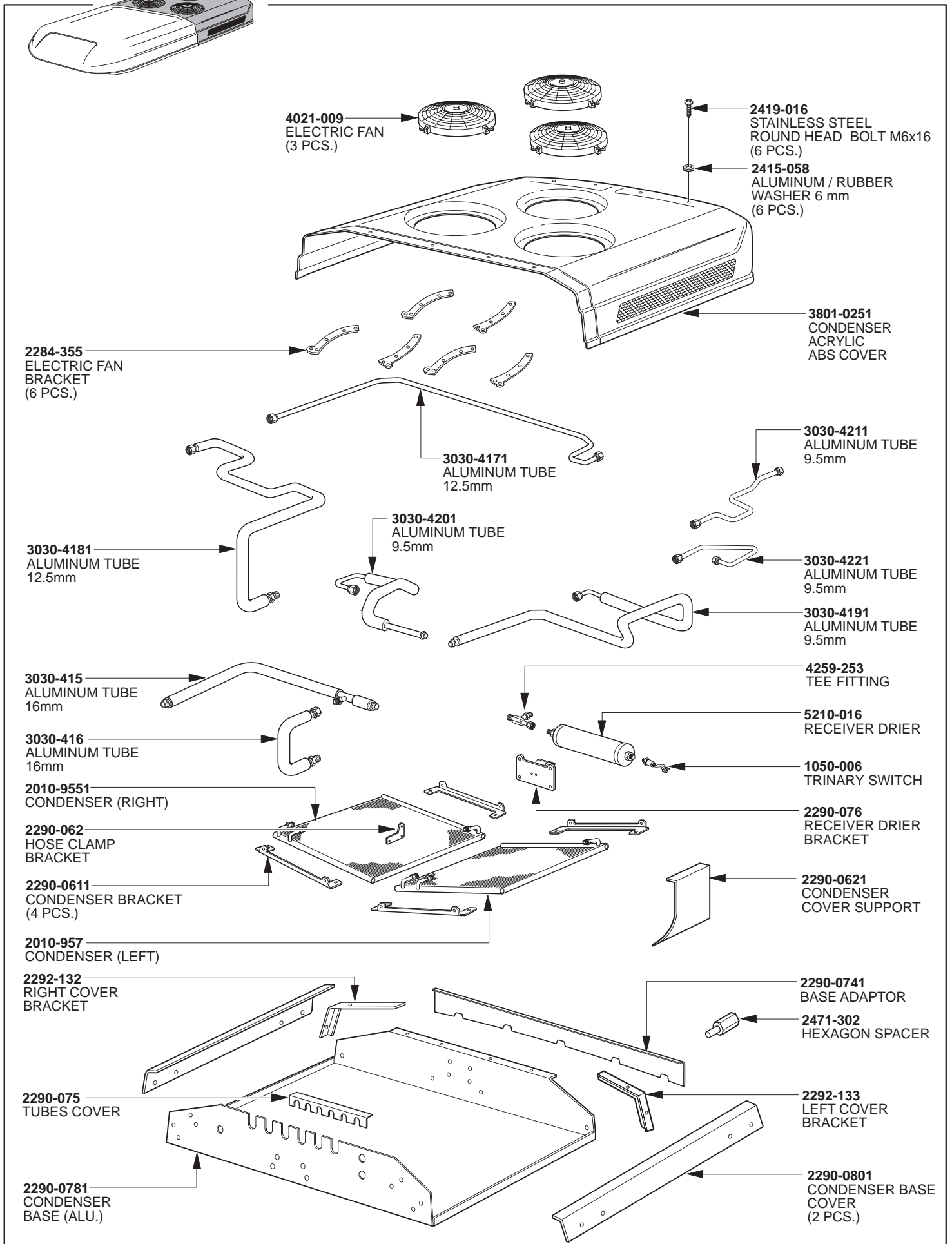
Refrigerant : R-134a.

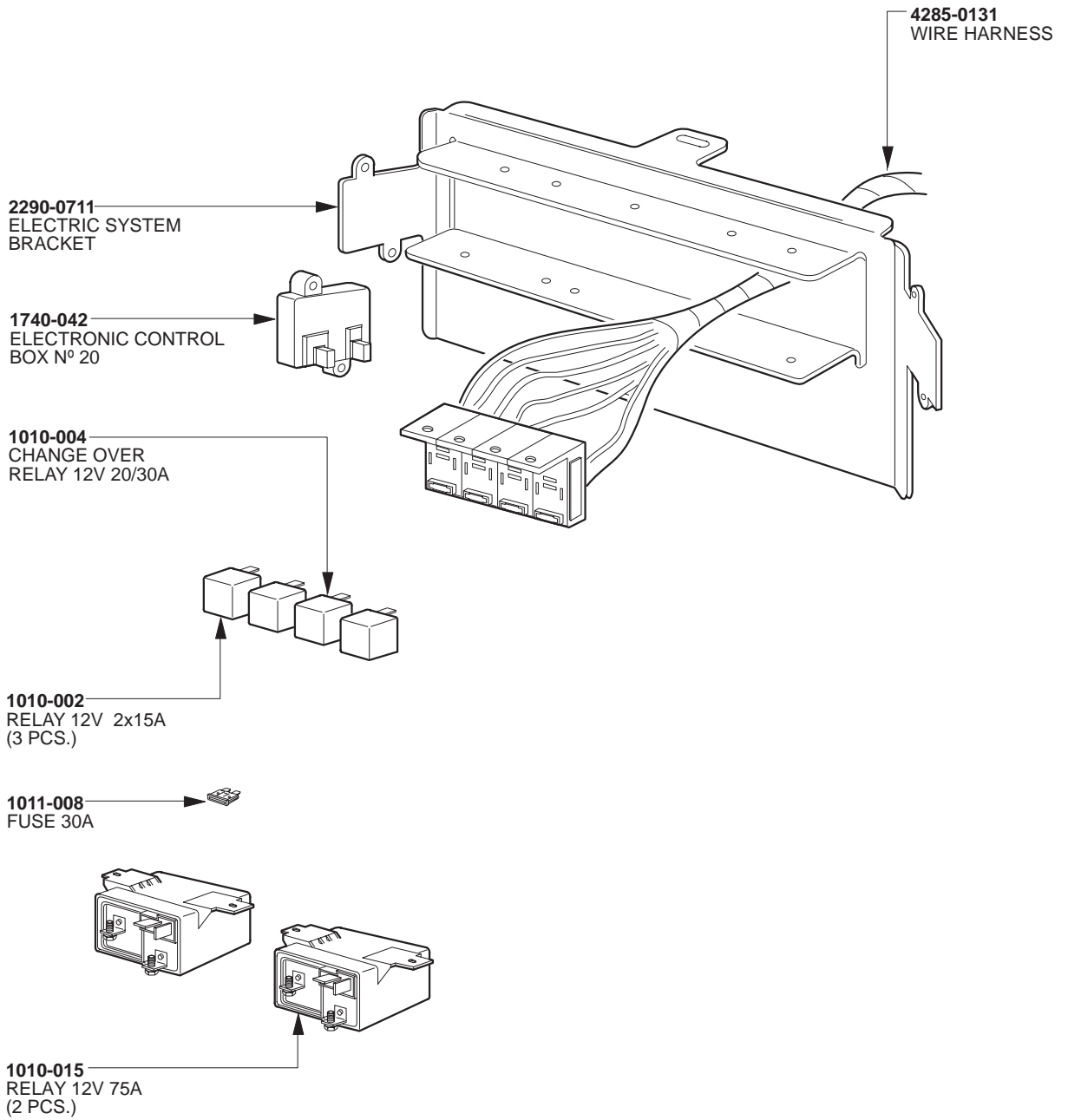
Refrigerant charge : 1800 ± 100 gr.

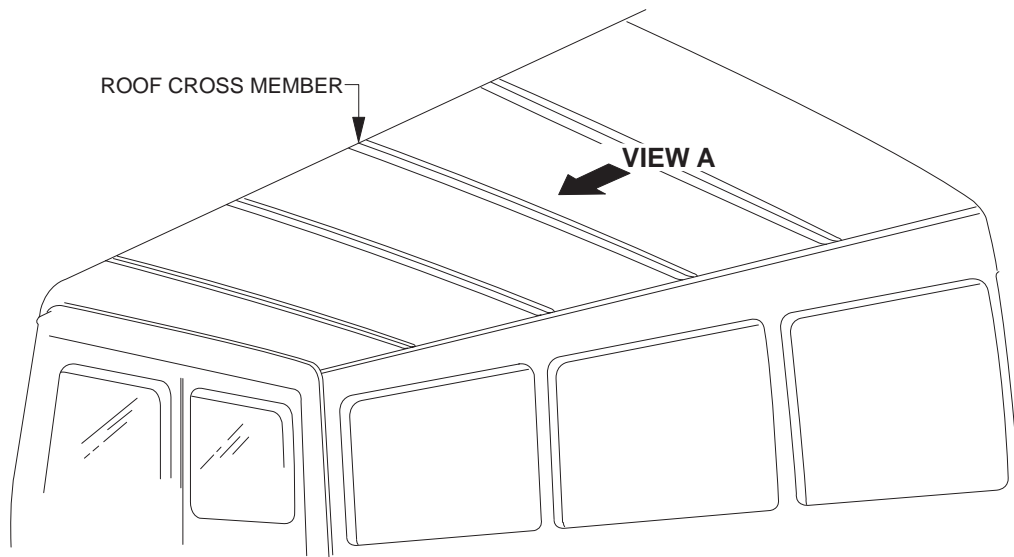
Oil : SP-20.

Oil charge : 110 cc (In addition to the existing oil in the compressor).



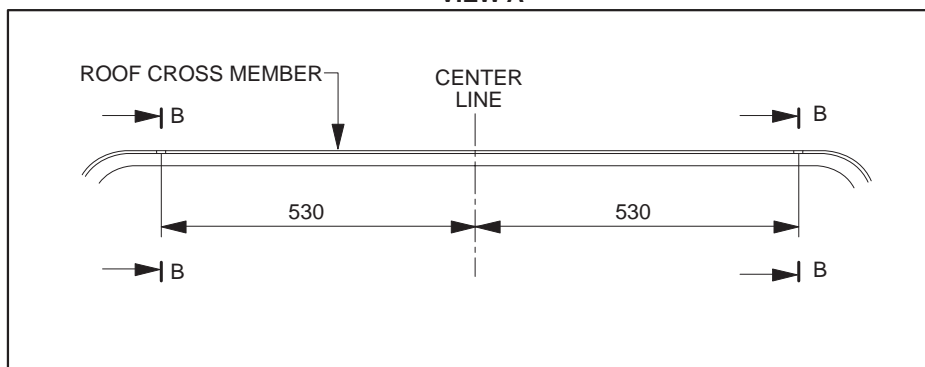






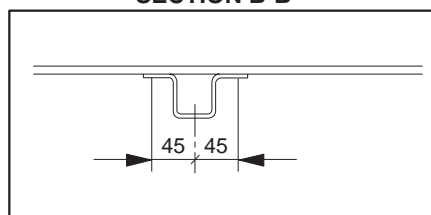
BEST AIRFLOW DISTRIBUTION WILL BE ACHIEVED IF THE EVAPORATORS WILL BE LOCATED AT THE MIDDLE OF THE VEHICLE. TRACE THE ROOF CROSS MEMBER WHICH WILL BE EXACTLY IN THE MIDDLE OF THE EVAPORATORS, SO WHILE CUTTING OUT THE 5 OPENINGS FOR AIR INTAKE AND AIR OUTLET THE ROOF CROSS MEMBER WILL STAY UNTOUCHED.

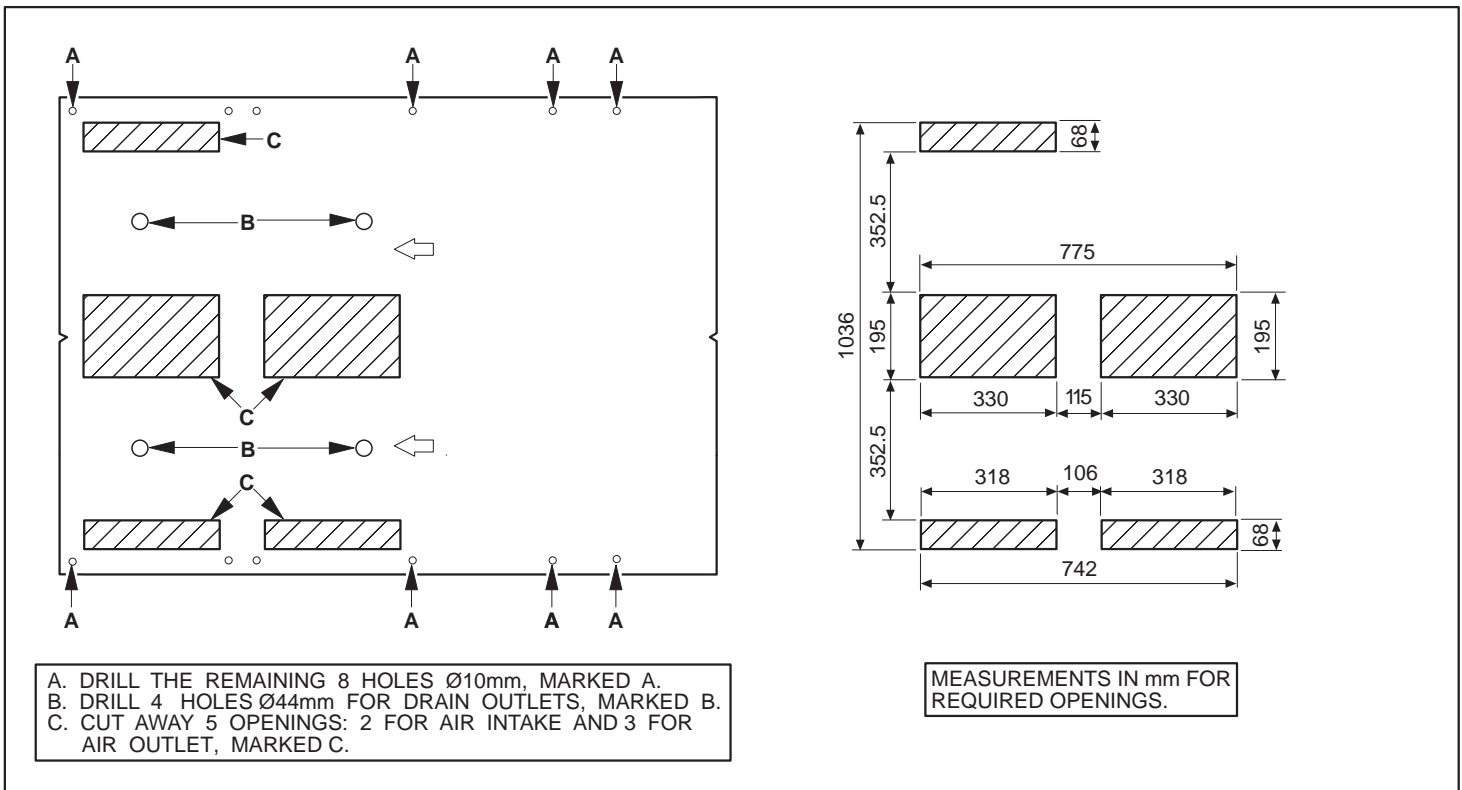
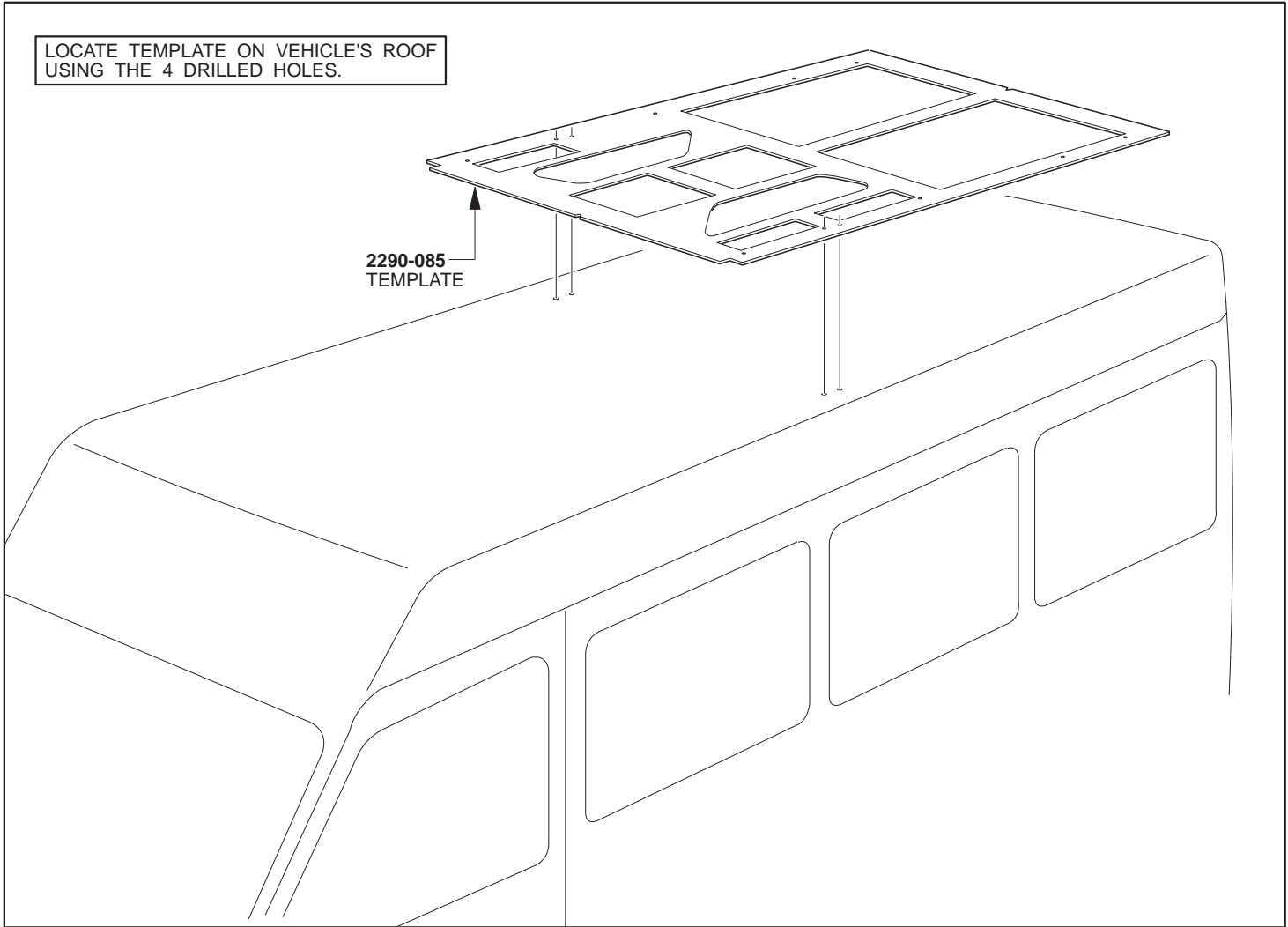
VIEW A



MARK AND DRILL 4 HOLES Ø10mm FOR LOCATING TEMPLATE. HOLES SHOULD BE 530mm FROM CENTER LINE AND 45mm FROM CENTER OF ROOF CROSS MEMBER.

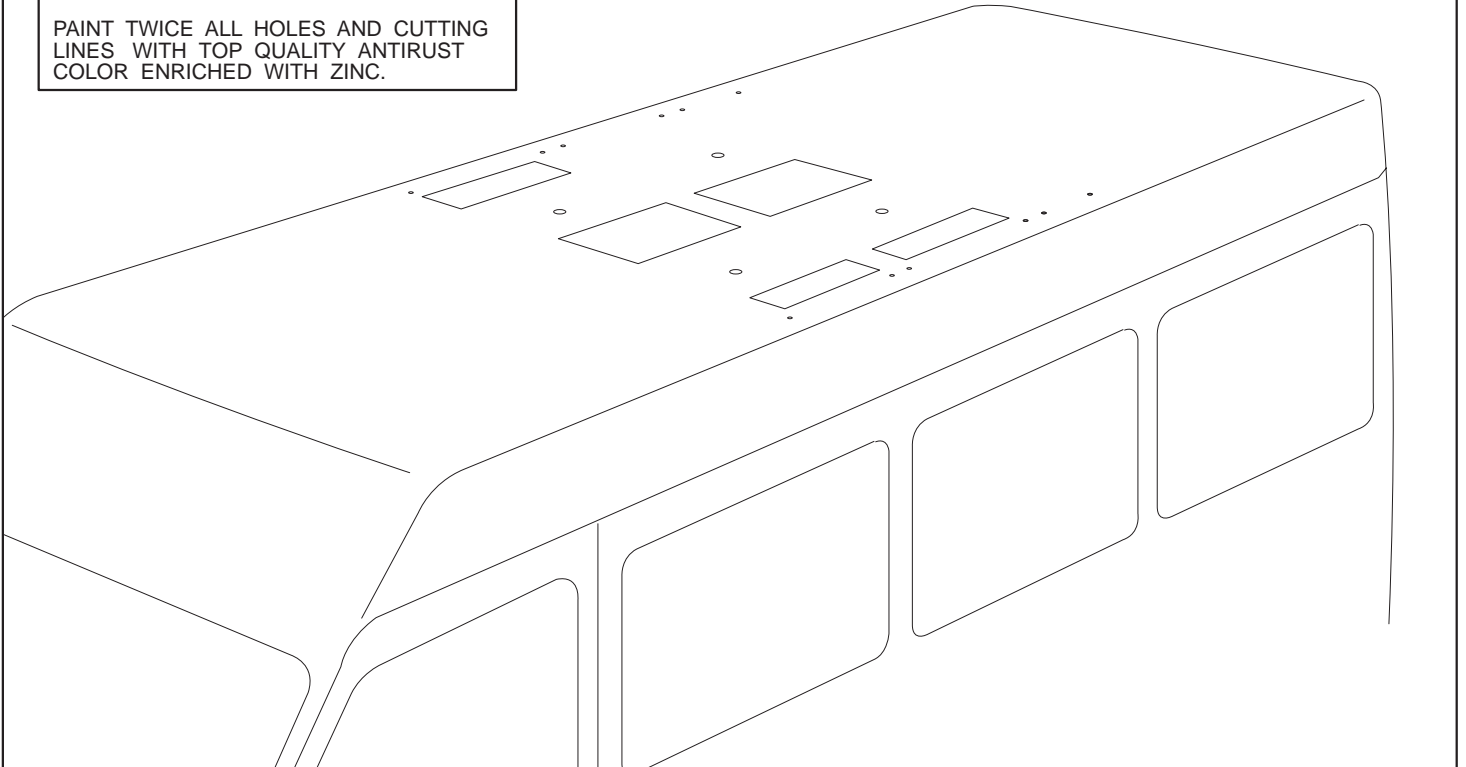
SECTION B-B



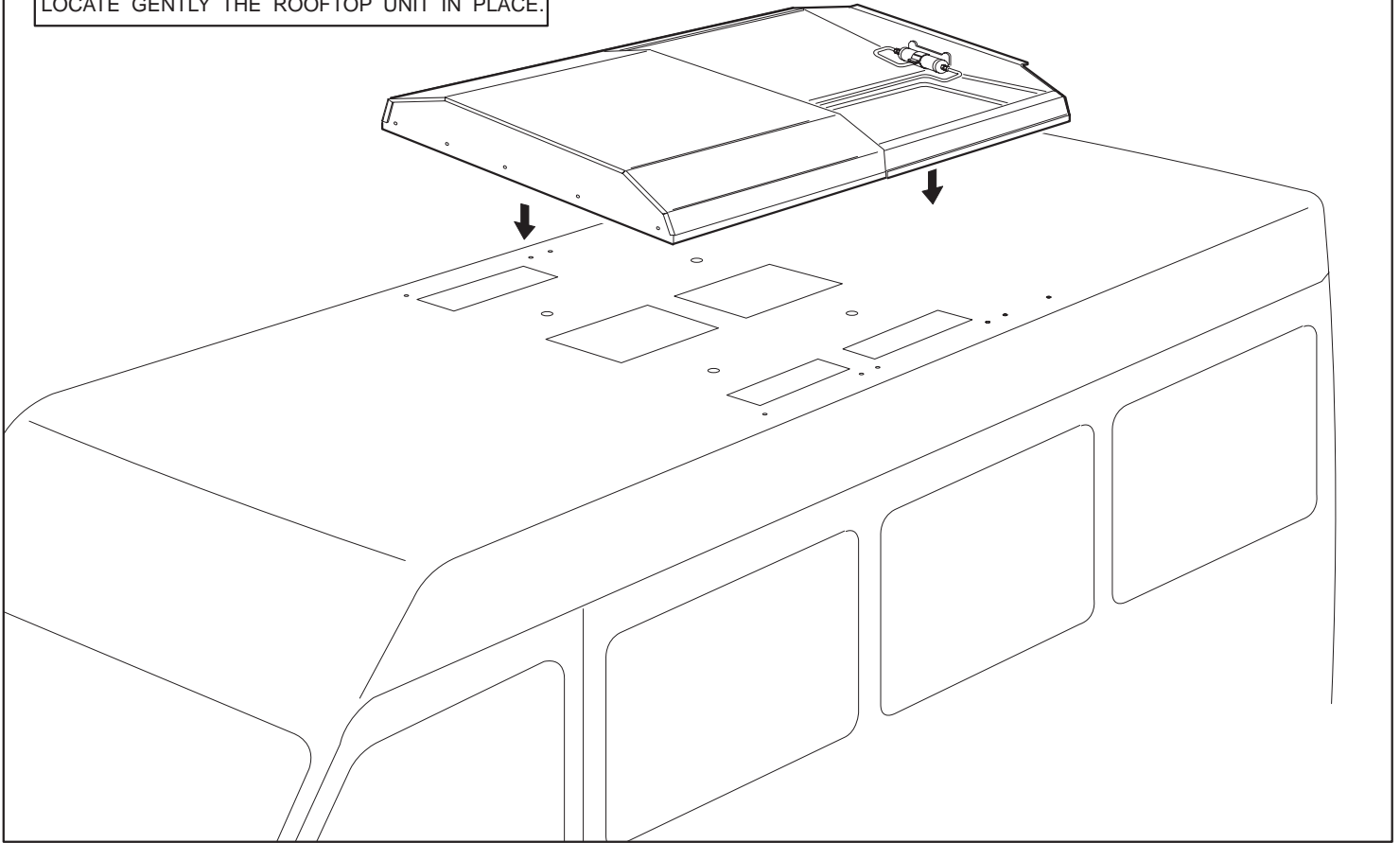


CLEAN CAREFULLY ROOF'S SURFACE TO ALLOW GOOD CONTACT OF SIKAFLEX.

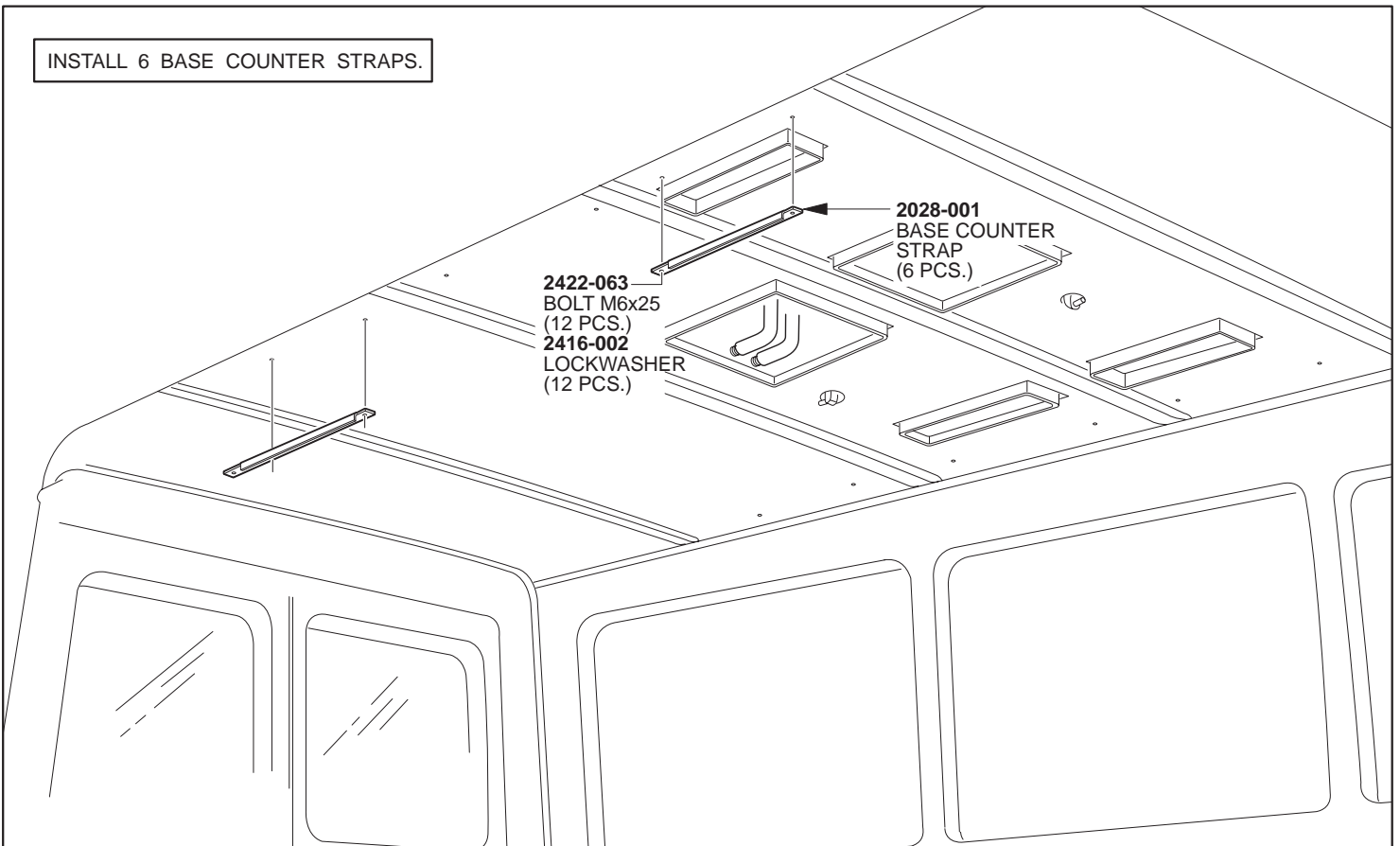
PAINT TWICE ALL HOLES AND CUTTING LINES WITH TOP QUALITY ANTIRUST COLOR ENRICHED WITH ZINC.



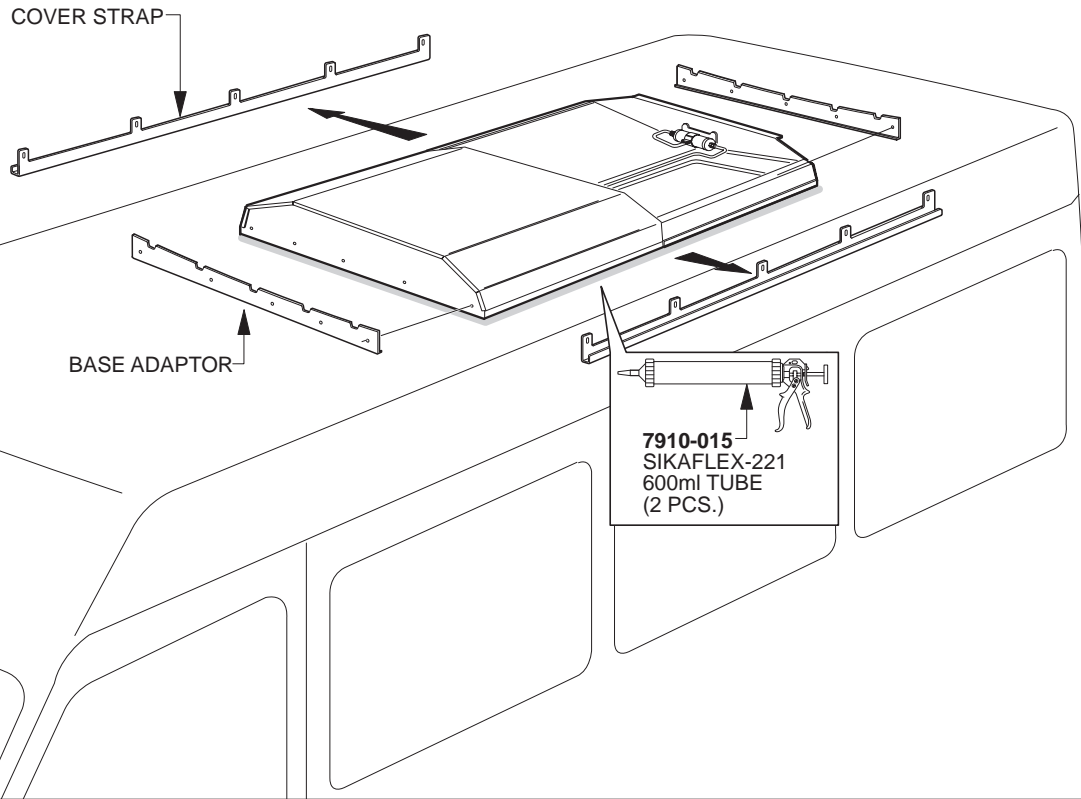
LOCATE GENTLY THE ROOFTOP UNIT IN PLACE.



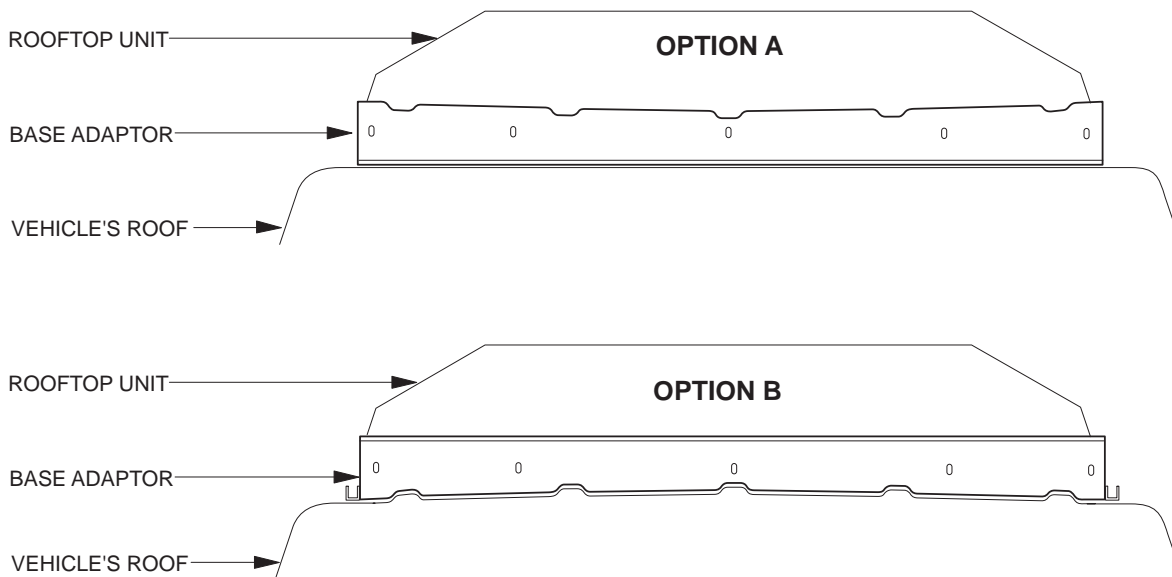
INSTALL 6 BASE COUNTER STRAPS.



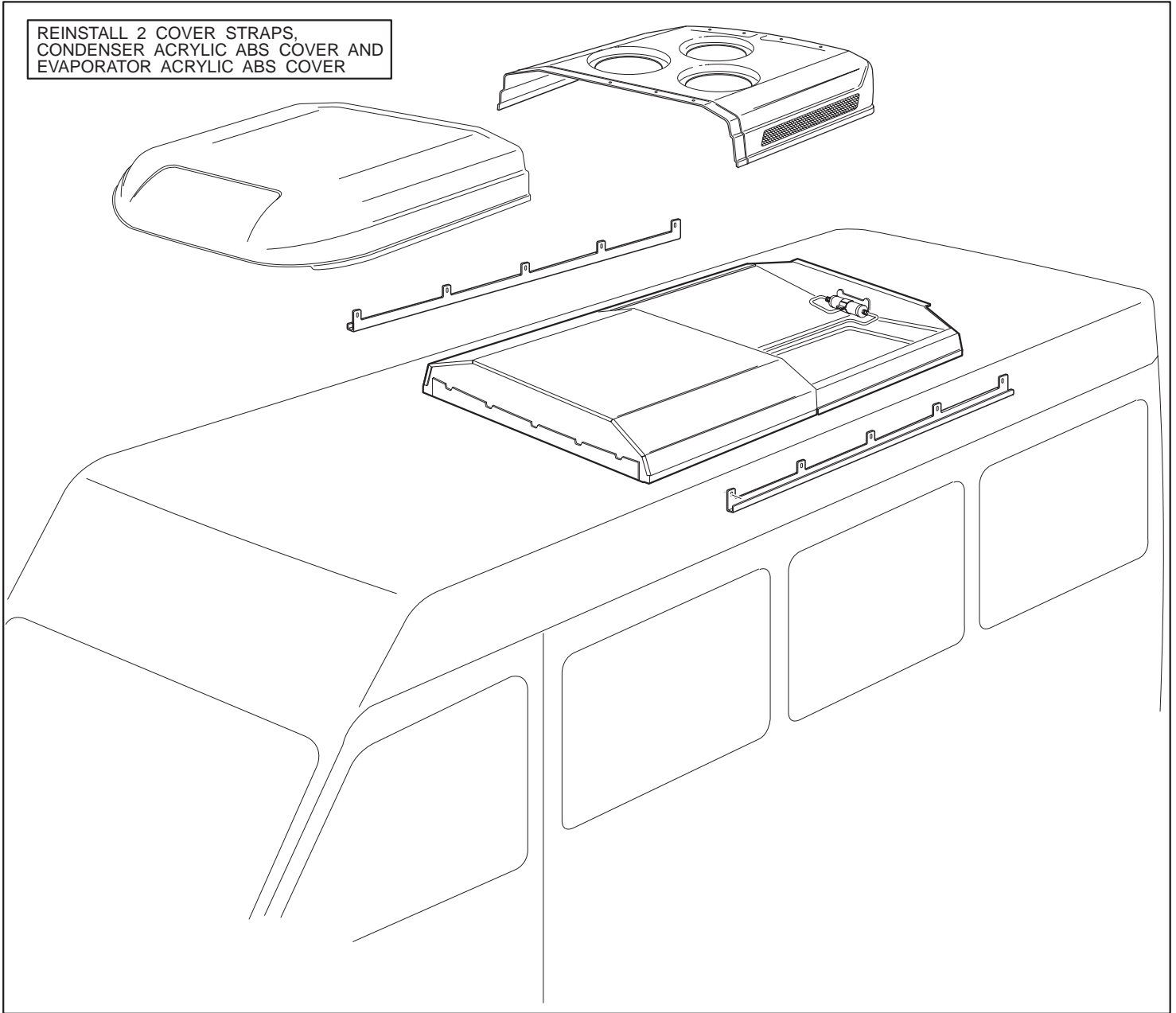
DISMANTLE 2 COVER STRAPS.
INSTALL 2 BASE ADAPTORS.
APPLY SIKAFLEX ALL AROUND THE UNIT.



2 OPTIONS FOR BASE ADAPTORS INSTALLATION:
OPTION A: FOR MOST VEHICLES.
OPTION B: FOR VW LT AND MERCEDES SPRINTER.

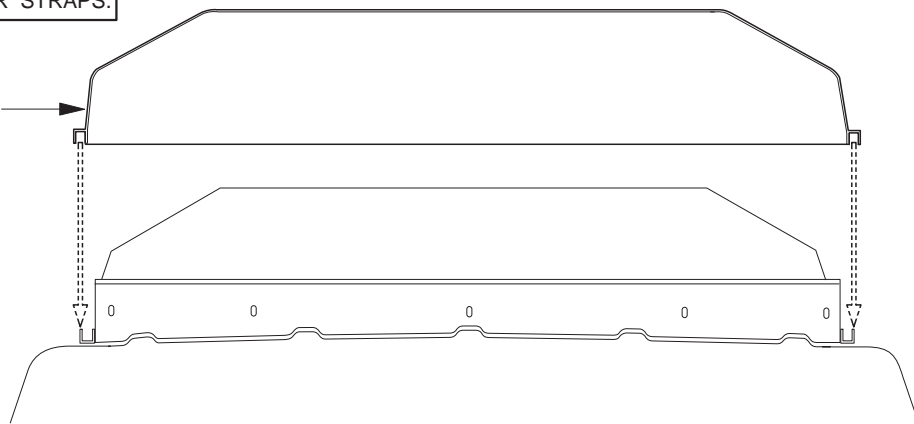


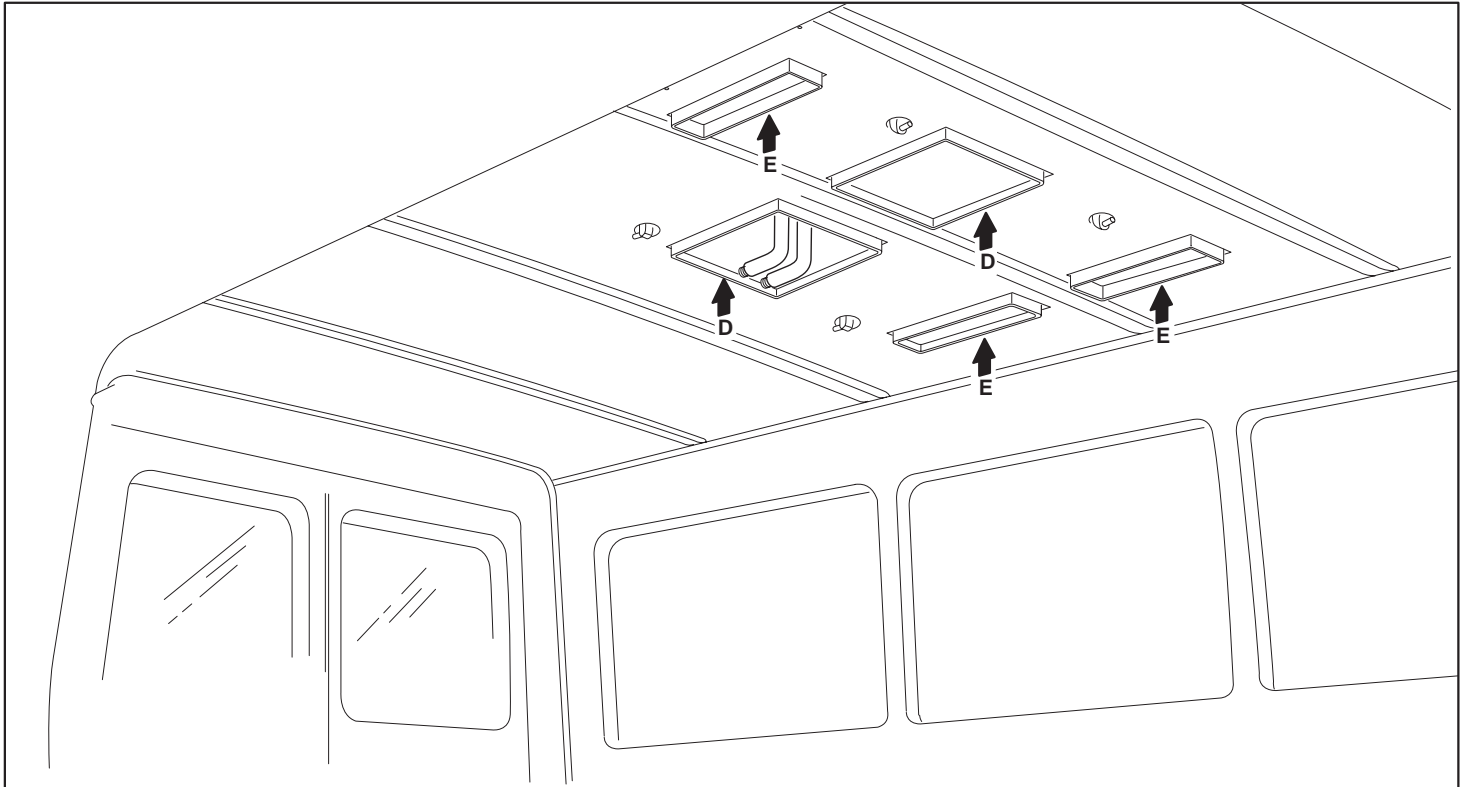
REINSTALL 2 COVER STRAPS,
CONDENSER ACRYLIC ABS COVER AND
EVAPORATOR ACRYLIC ABS COVER



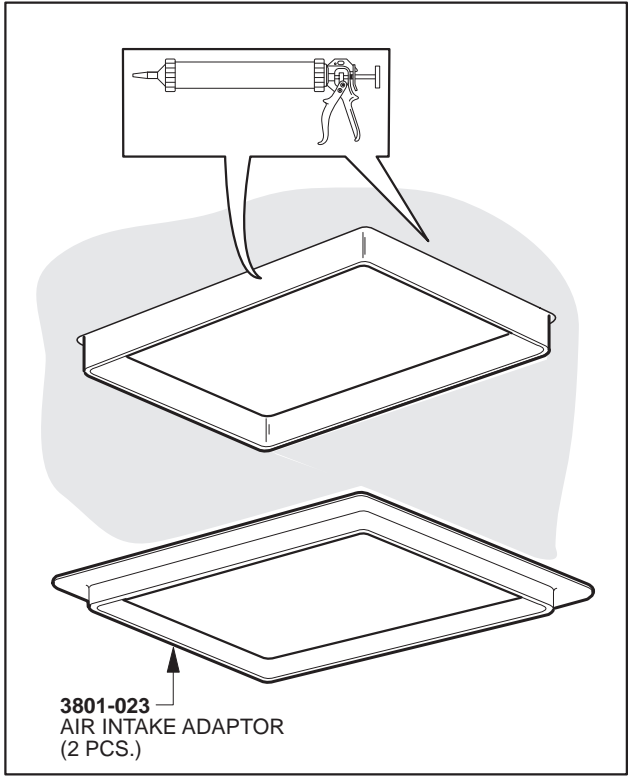
MAKE SURE COVER'S SLOTS ARE
INSERTED INTO THE COVER STRAPS.

CONDENSER & EVAPORATOR
ACRYLIC ABS COVERS

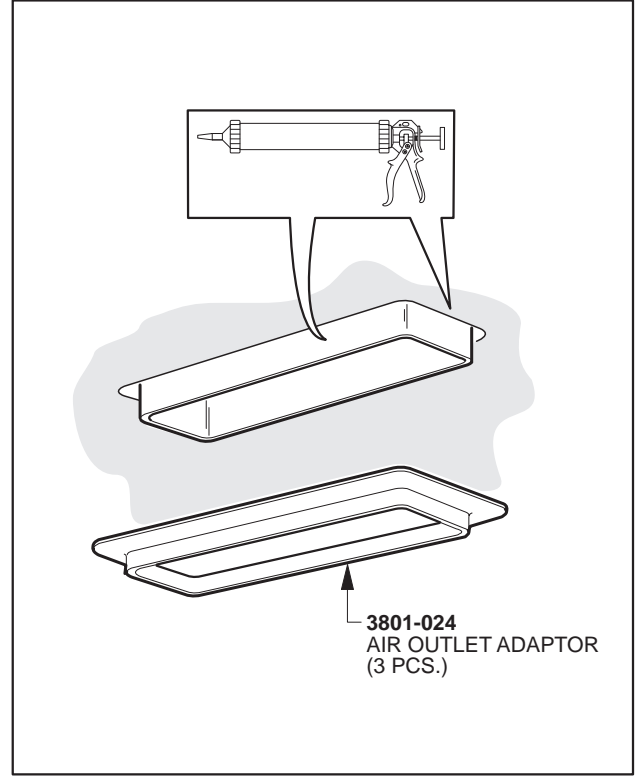




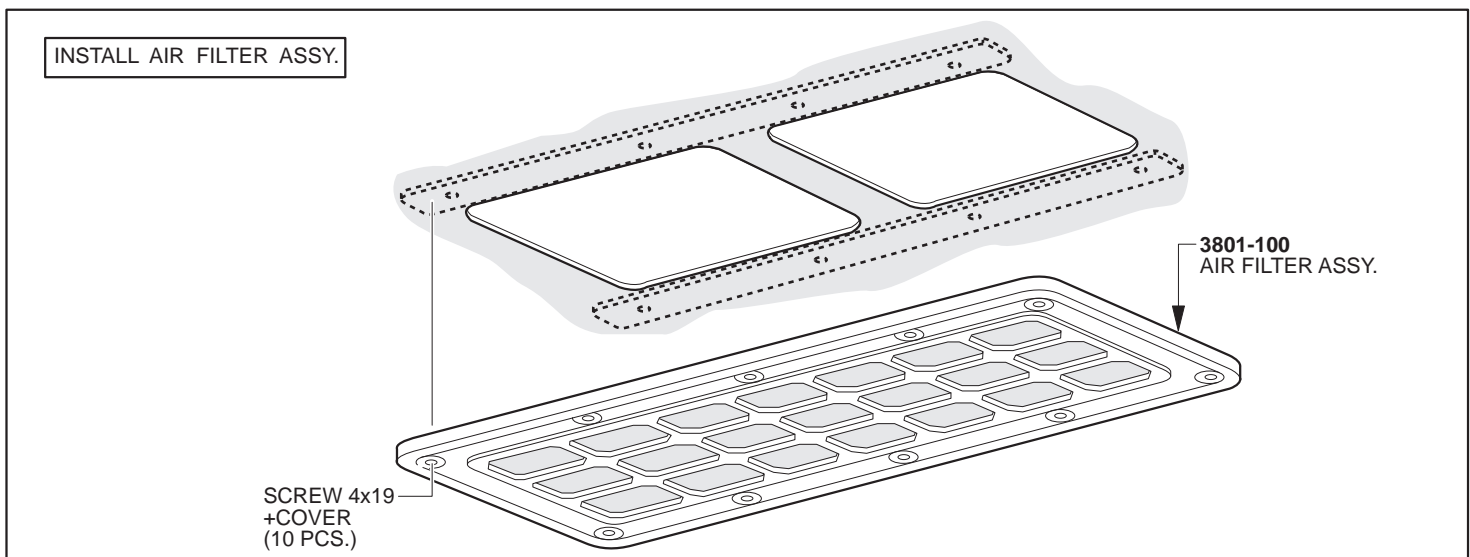
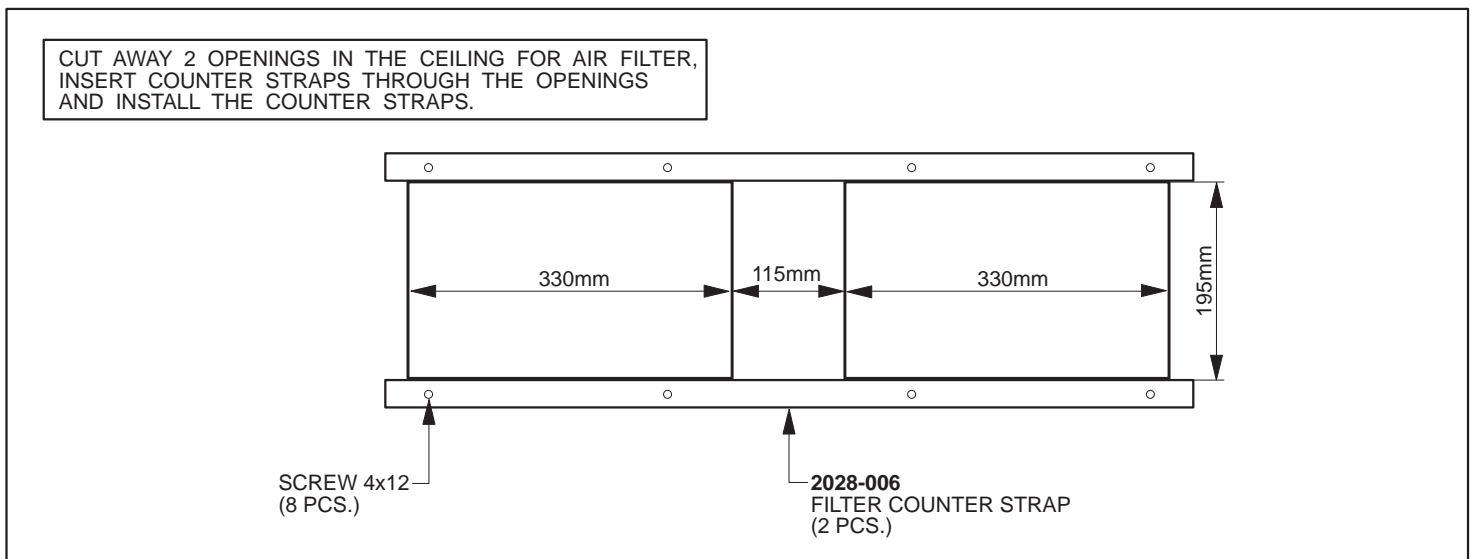
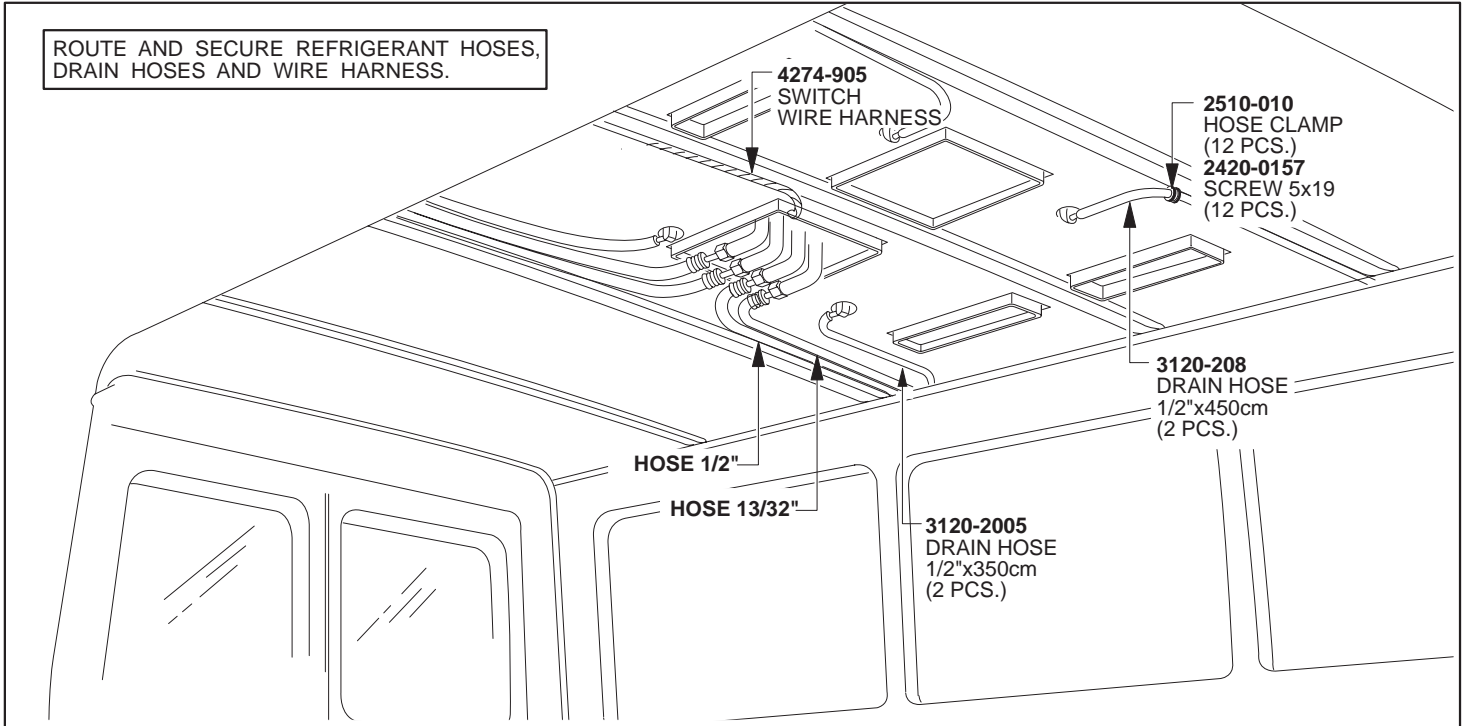
DETAIL D



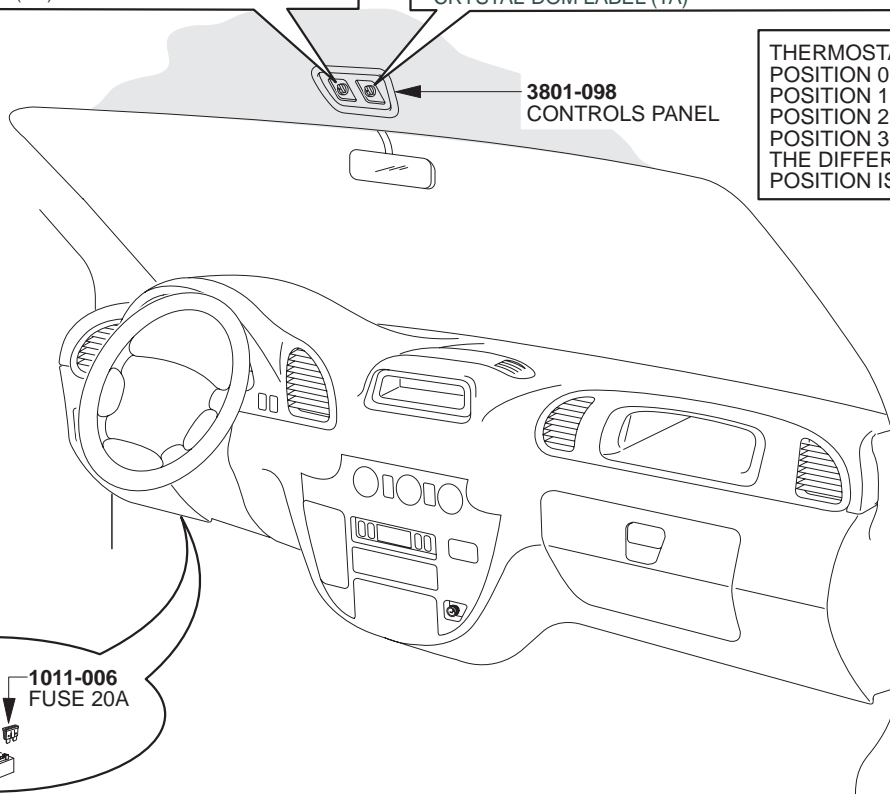
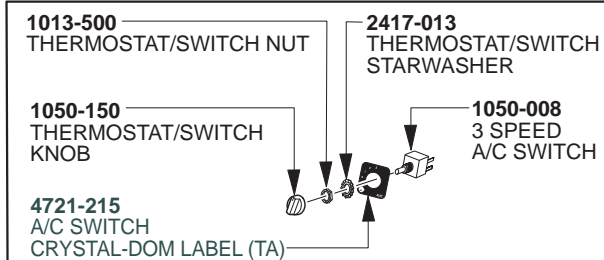
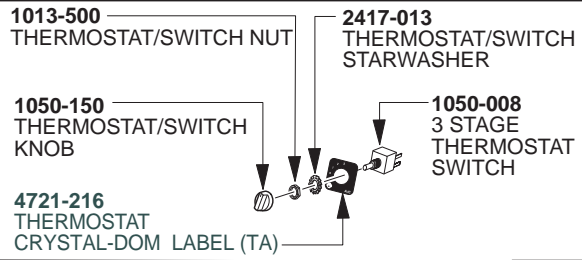
DETAIL E



INSTALL 2 AIR INTAKE ADAPTORS AND 3 AIR OUTLET ADAPTORS USING SIKAFLEX .



CONTROLS CAN BE INSTALLED IN THE CEILING USING SUPPLIED PANEL OR IN DASHBOARD WITHOUT THE PANEL.



THERMOSTAT FUNCTION:
POSITION 0 - AIR CIRCULATION ONLY.
POSITION 1 - COLD AIR.
POSITION 2 - COLDER AIR.
POSITION 3 - COLDEST AIR.
THE DIFFERENCE BETWEEN EACH POSITION IS ABOUT 3° C.

