

ROOFTOP UNIT

TA-2220 • 12V

TA-2221 • 24V

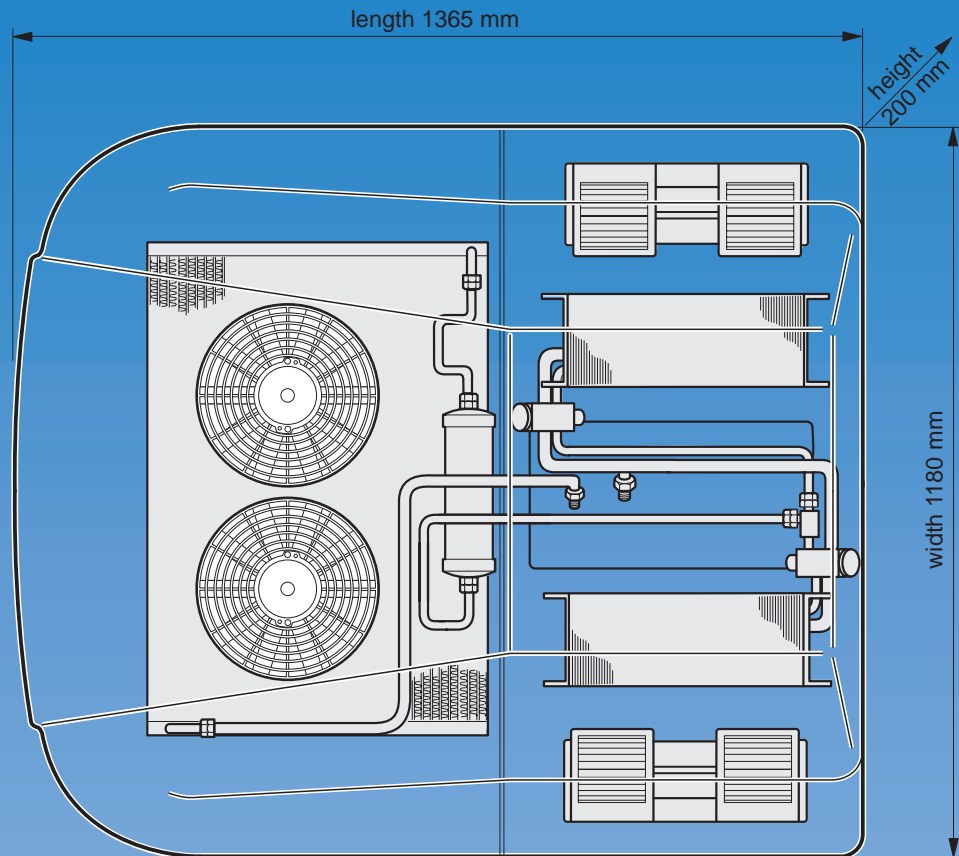


- **High Cooling Capacity**
- **Low Power Consumption**
- **Small Dimensions**
- **Low Weight**
- **Parallel Flow Condenser**
- **Aluminum Body**
- **ABS Acrylic Cover**



TA-2220 • 12V • p.n. 4500-220

TA-2221 • 24V • p.n. 4500-221



NOMINAL TECHNICAL DATA:

Cooling Capacity : 10 Kw

Working Voltage : 12V d.c. / 24V d.c.

Power Consumption : 44A - 12V / 22A - 24V

Airflow (at Zero Static Pressure) : 1600 m³/h

Weight : 41 Kg

Recommended Compressor : EFUP150HD

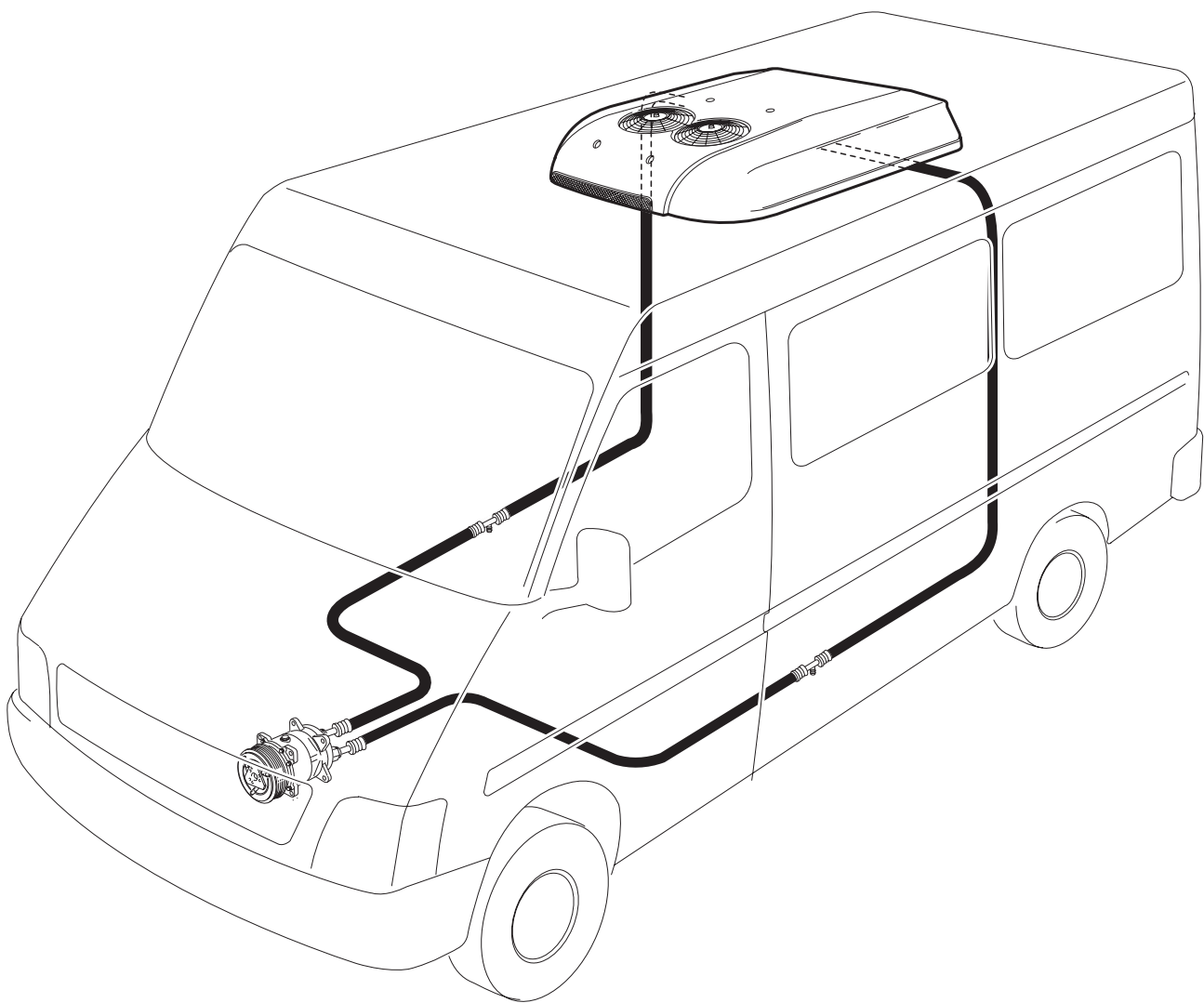




TA-22
ROOFTOP UNIT
12V

TA-2220 • 12V

TA-2221 • 24V



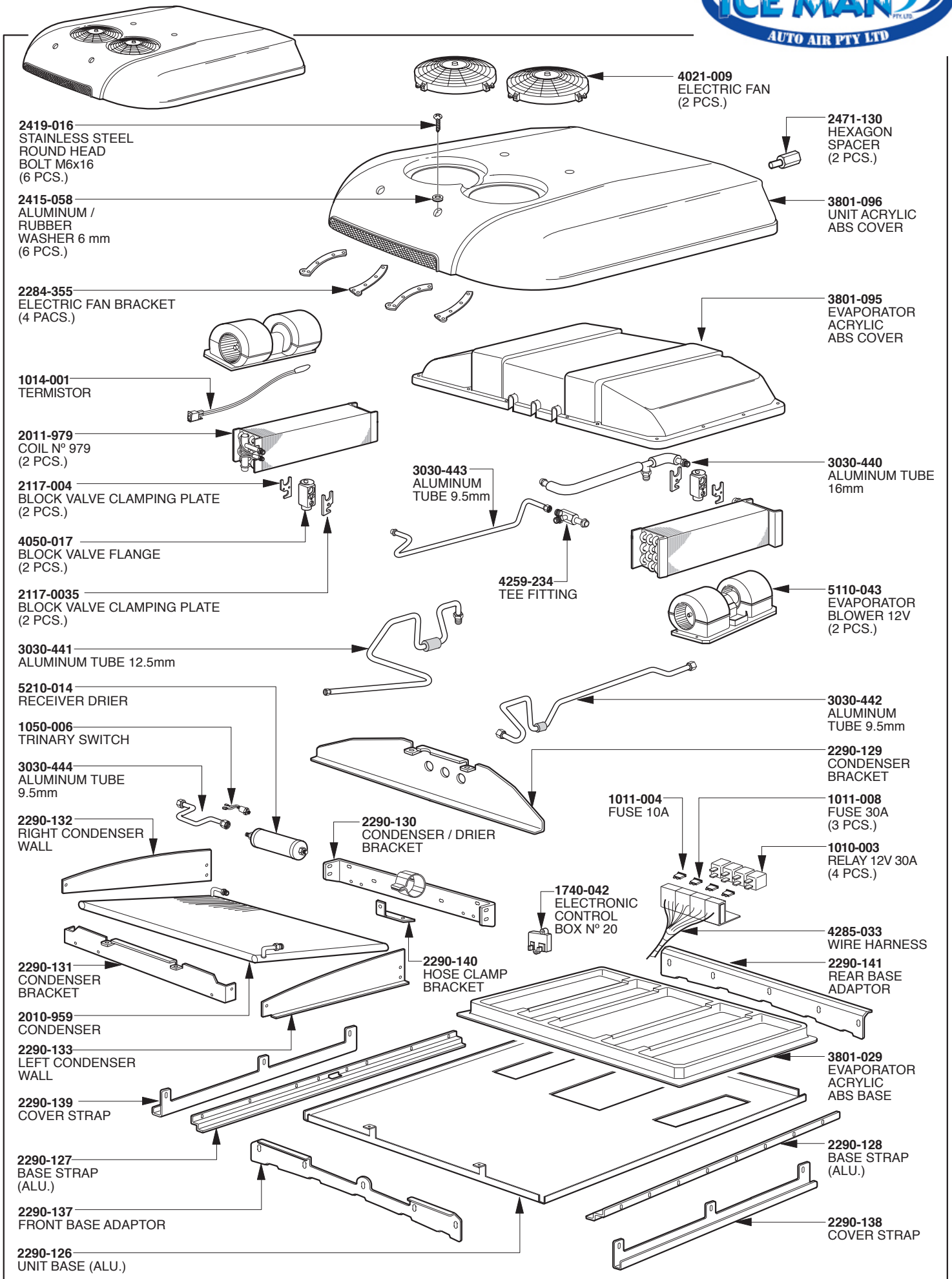
Refrigerant : R-134a.

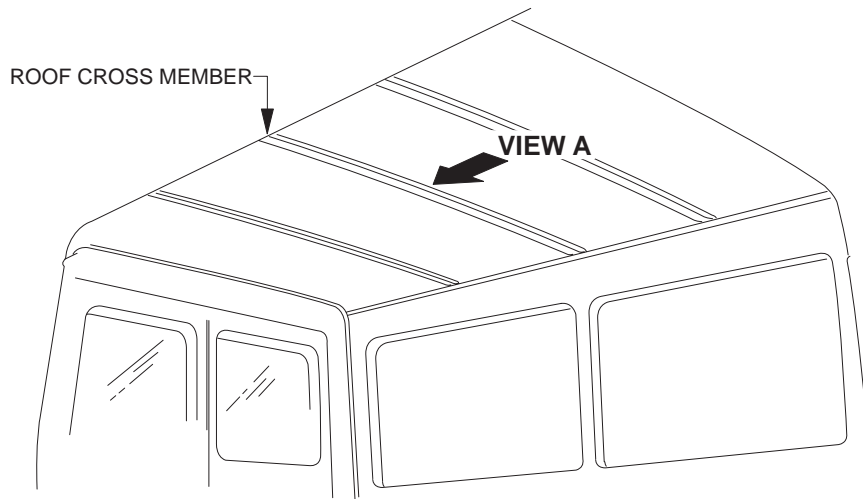
Refrigerant charge : 1600 ± 100 gr.

Oil : SP-20.

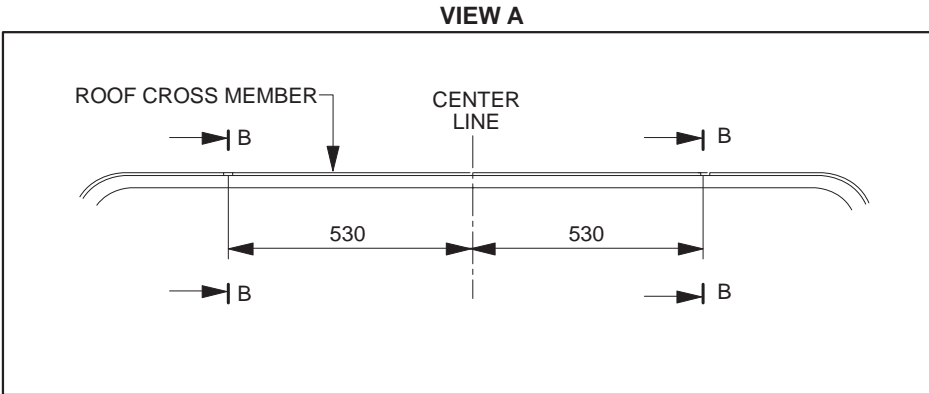
Oil charge : 90 cc (In addition to the existing oil in the compressor).

TA-2220 • Rooftop Unit • 12V • 4500-220

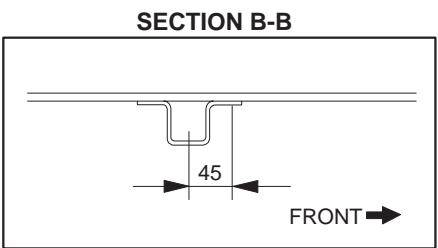




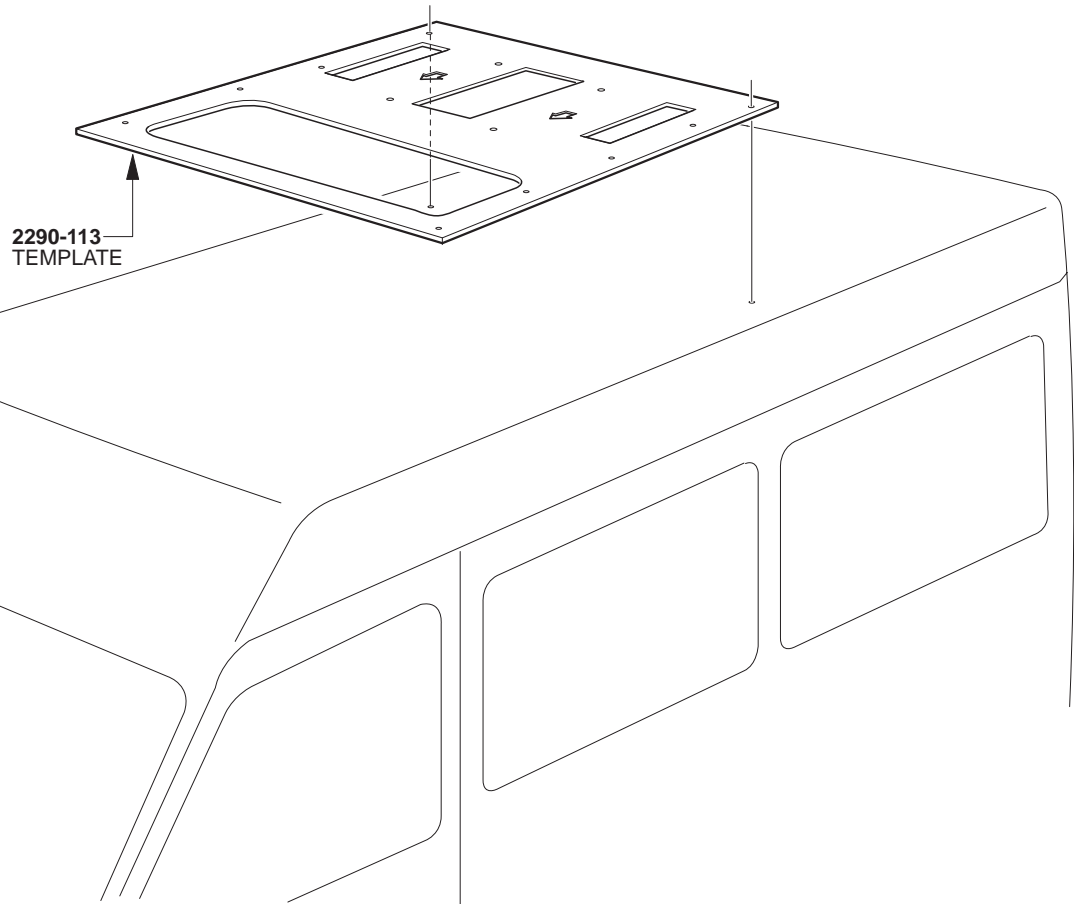
BEST AIRFLOW DISTRIBUTION WILL BE ACHIEVED IF THE EVAPORATOR WILL BE LOCATED AT THE THIRD REAR OF THE VEHICLE. TRACE THE 2 ROOF CROSS MEMBERS BETWEEN WHICH THE EVAPORATOR WILL BE LOCATED, SO WHILE CUTTING OUT THE 3 OPENINGS FOR AIR INTAKE AND AIR OUTLET THE ROOF CROSS MEMBERS WILL STAY UNTOUCHED.



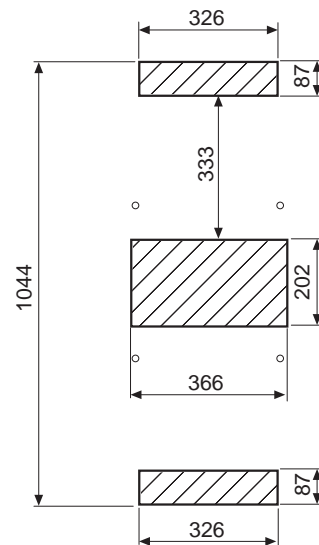
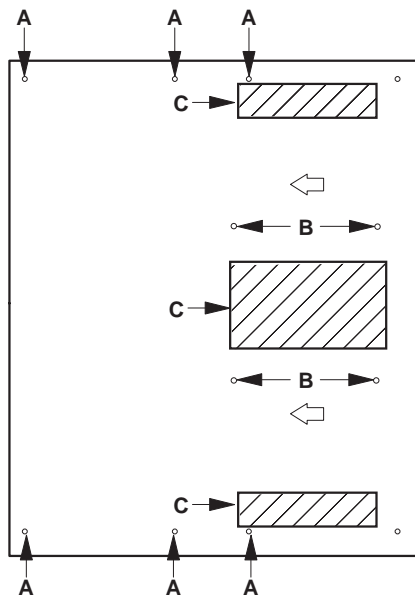
MARK AND DRILL 2 HOLES Ø10mm FOR LOCATING TEMPLATE. HOLES SHOULD BE 530mm FROM CENTER LINE AND 45mm FROM CENTER OF ROOF CROSS MEMBER.



LOCATE TEMPLATE ON VEHICLE'S ROOF USING THE 2 DRILLED HOLES.



2290-113
TEMPLATE

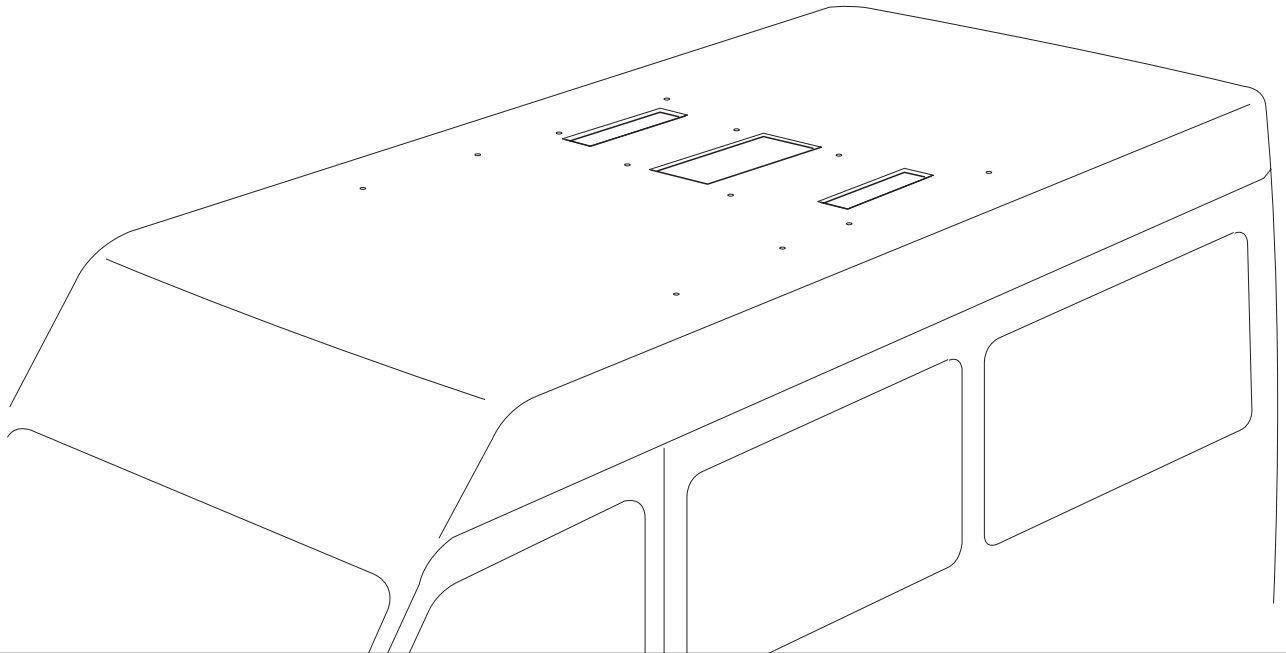


- A. DRILL THE REMAINING 6 HOLES Ø10mm, MARKED A.
- B. DRILL 4 HOLES Ø90mm FOR DRAIN OUTLETS, MARKED B.
- C. CUT AWAY 3 OPENINGS: 1 FOR AIR INTAKE AND 2 FOR AIR OUTLET, MARKED C.

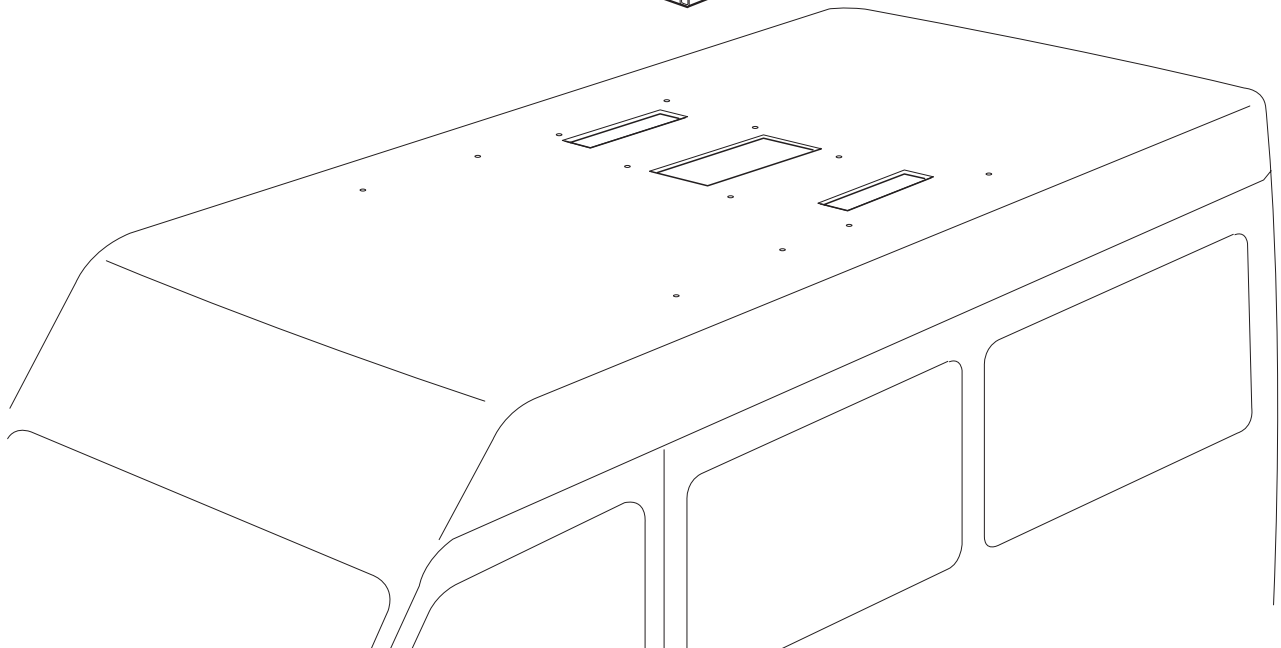
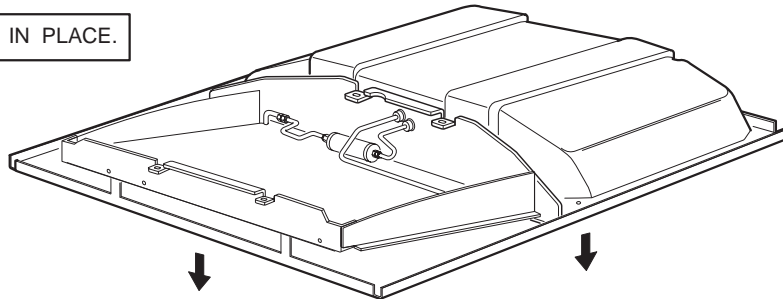
MEASUREMENTS IN mm FOR
REQUIRED OPENINGS.

CLEAN CAREFULLY ROOF'S SURFACE TO ALLOW GOOD CONTACT OF SIKAFLEX.

PAINT TWICE ALL HOLES AND CUTTING LINES WITH TOP QUALITY ANTIRUST COLOR ENRICHED WITH ZINC.



LOCATE GENTLY THE ROOFTOP UNIT IN PLACE.



INSTALL 4 BASE COUNTER STRAPS.

2422-063
BOLT M6x25
(8 PCS.)
2416-002
LOCKWASHER
(8 PCS.)

2028-001
BASE COUNTER
STRAP
(4 PCS.)

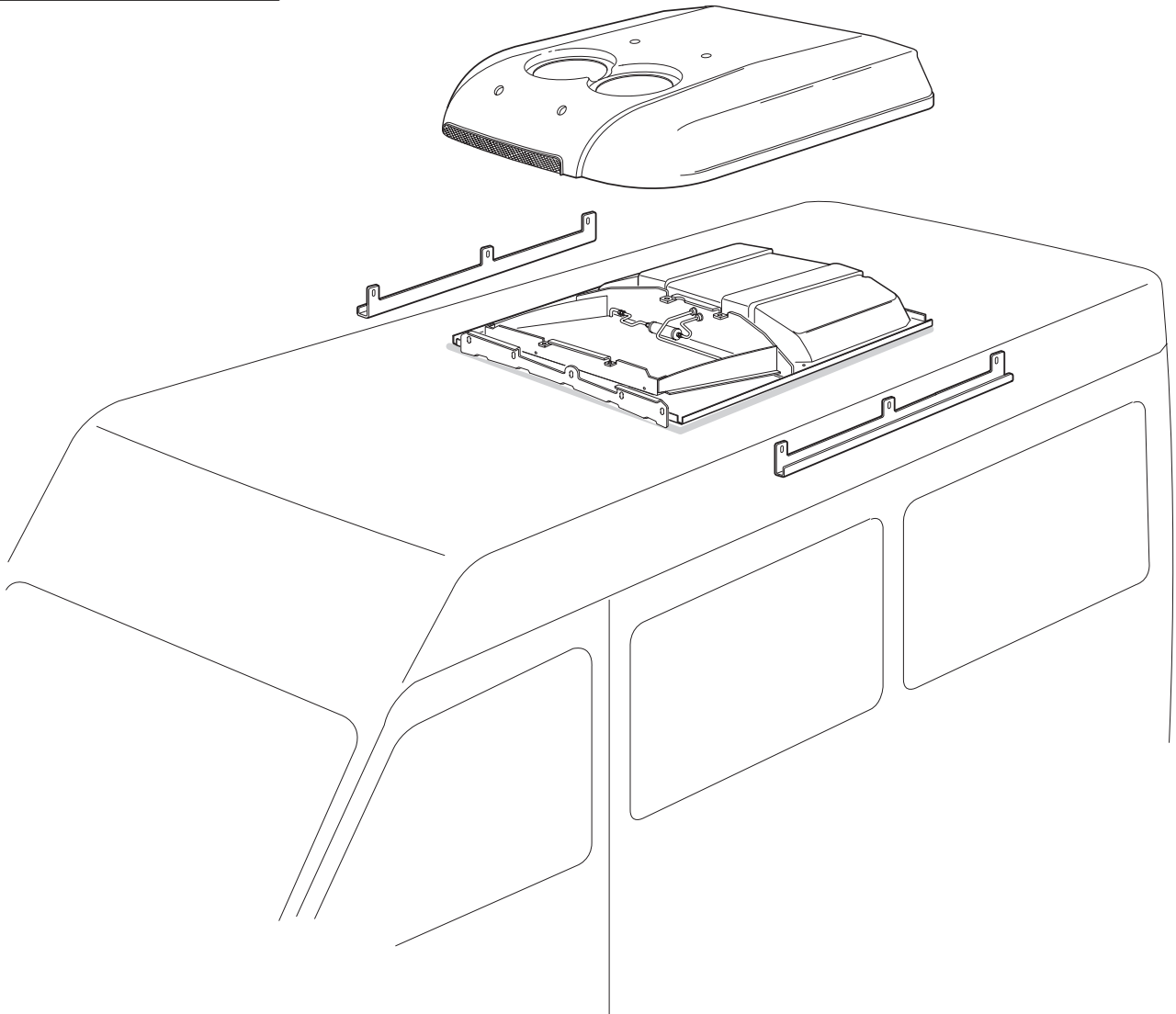
DISMANTLE 2 COVER STRAPS.
INSTALL 2 BASE ADAPTORS,
APPLY SIKAFLEX ALL AROUND THE UNIT.

COVER STRAP

BASE ADAPTOR

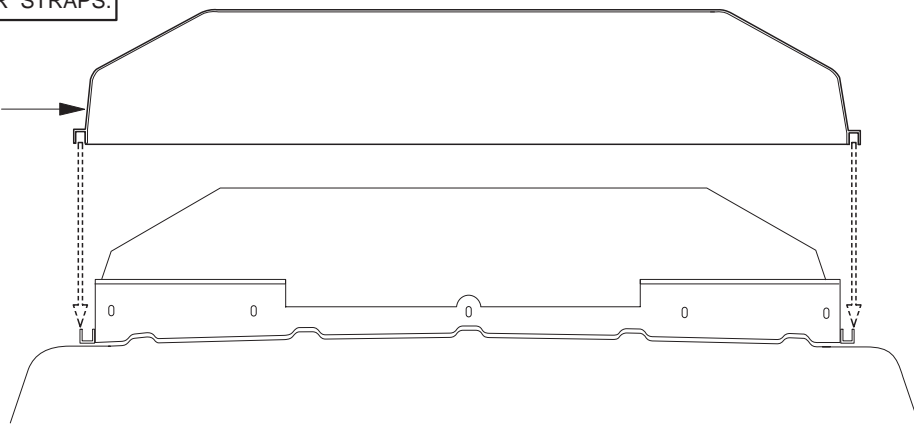
7910-015
SIKAFLEX-221
600ml TUBE
(2 PCS.)

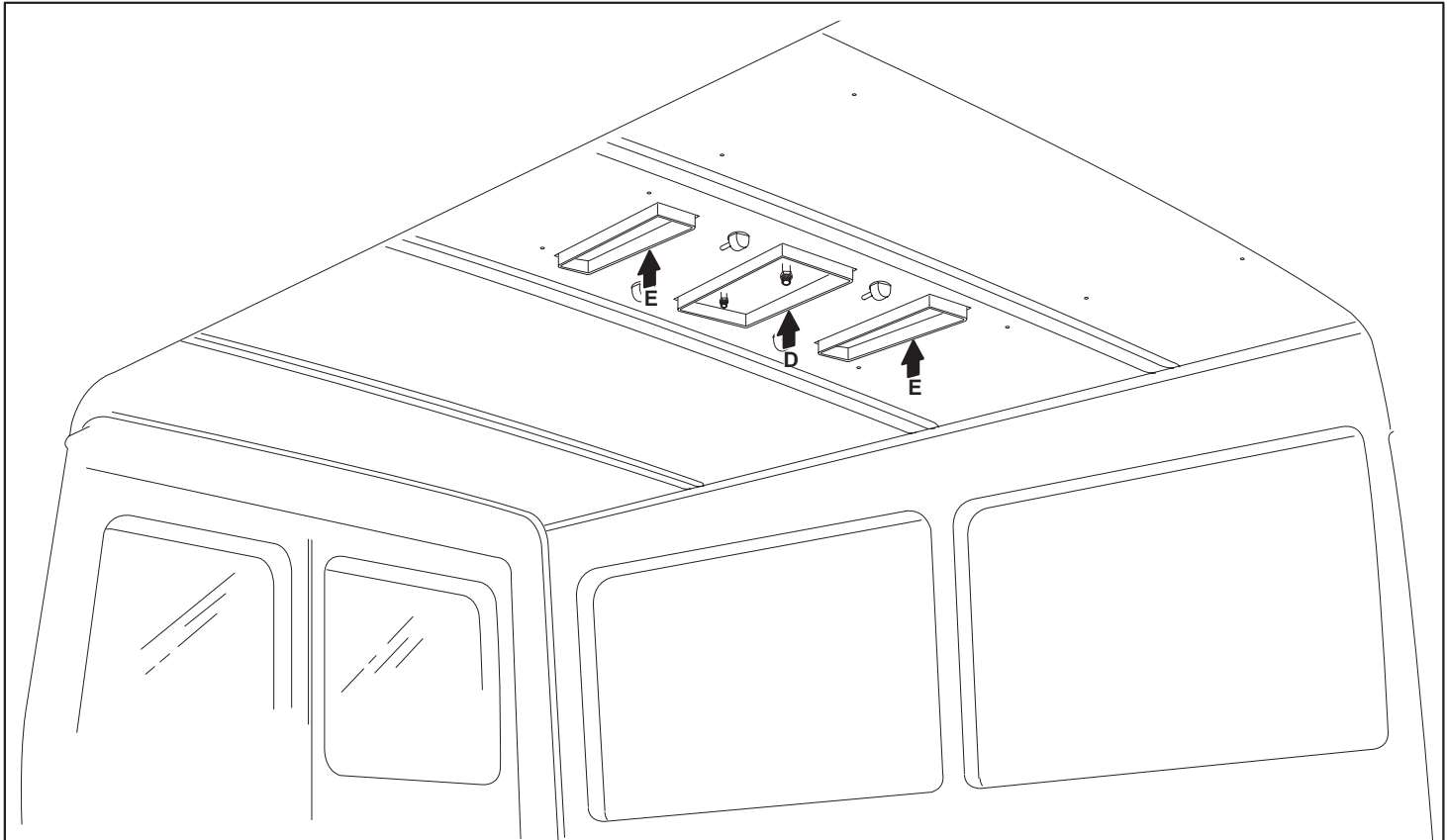
REINSTALL 2 COVER STRAPS
AND UNIT ACRYLIC ABS COVER.



MAKE SURE COVER'S SLOTS ARE
INSERTED INTO THE COVER STRAPS.

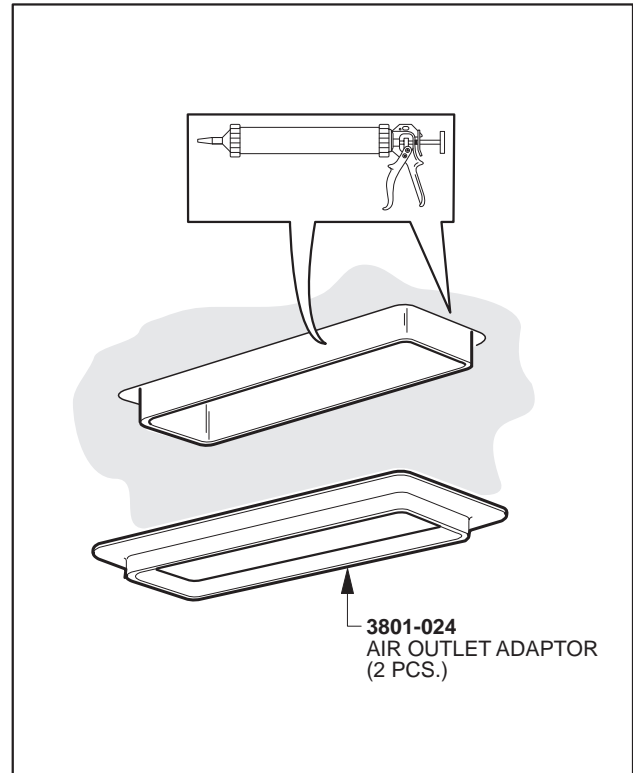
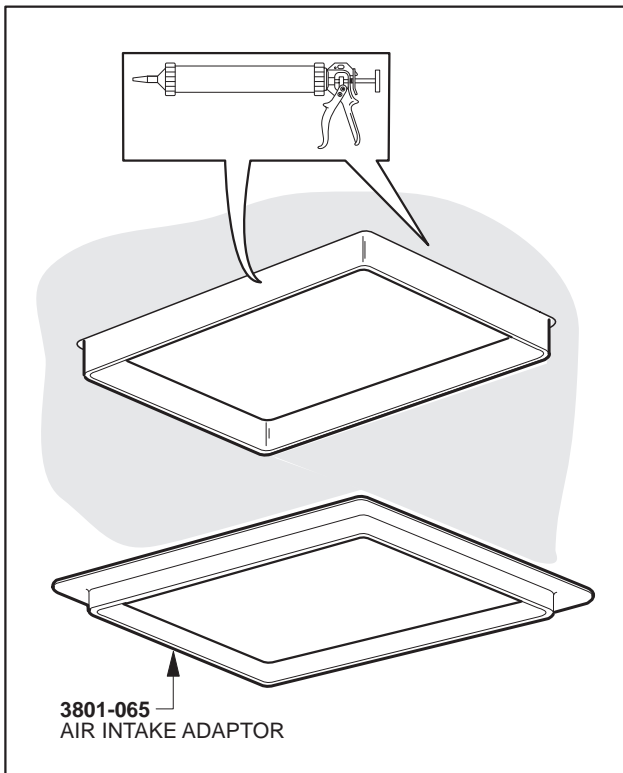
UNIT ACRYLIC ABS COVER



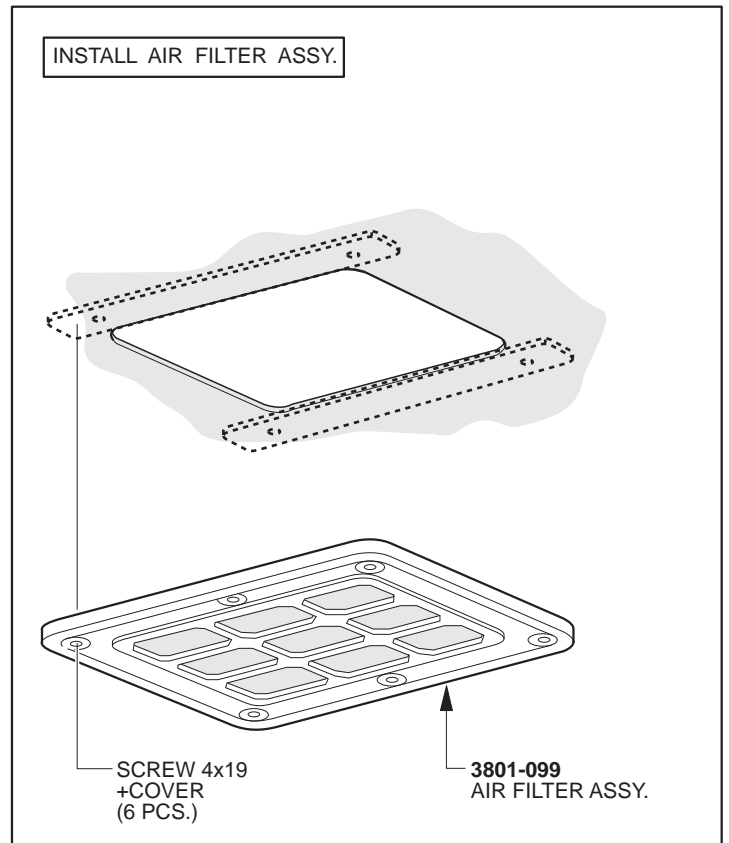
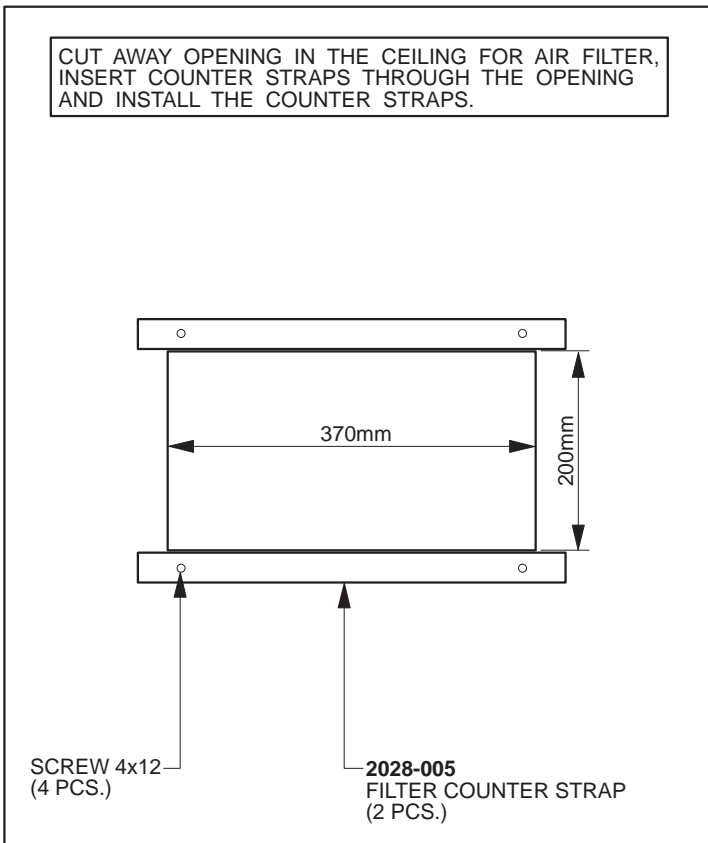
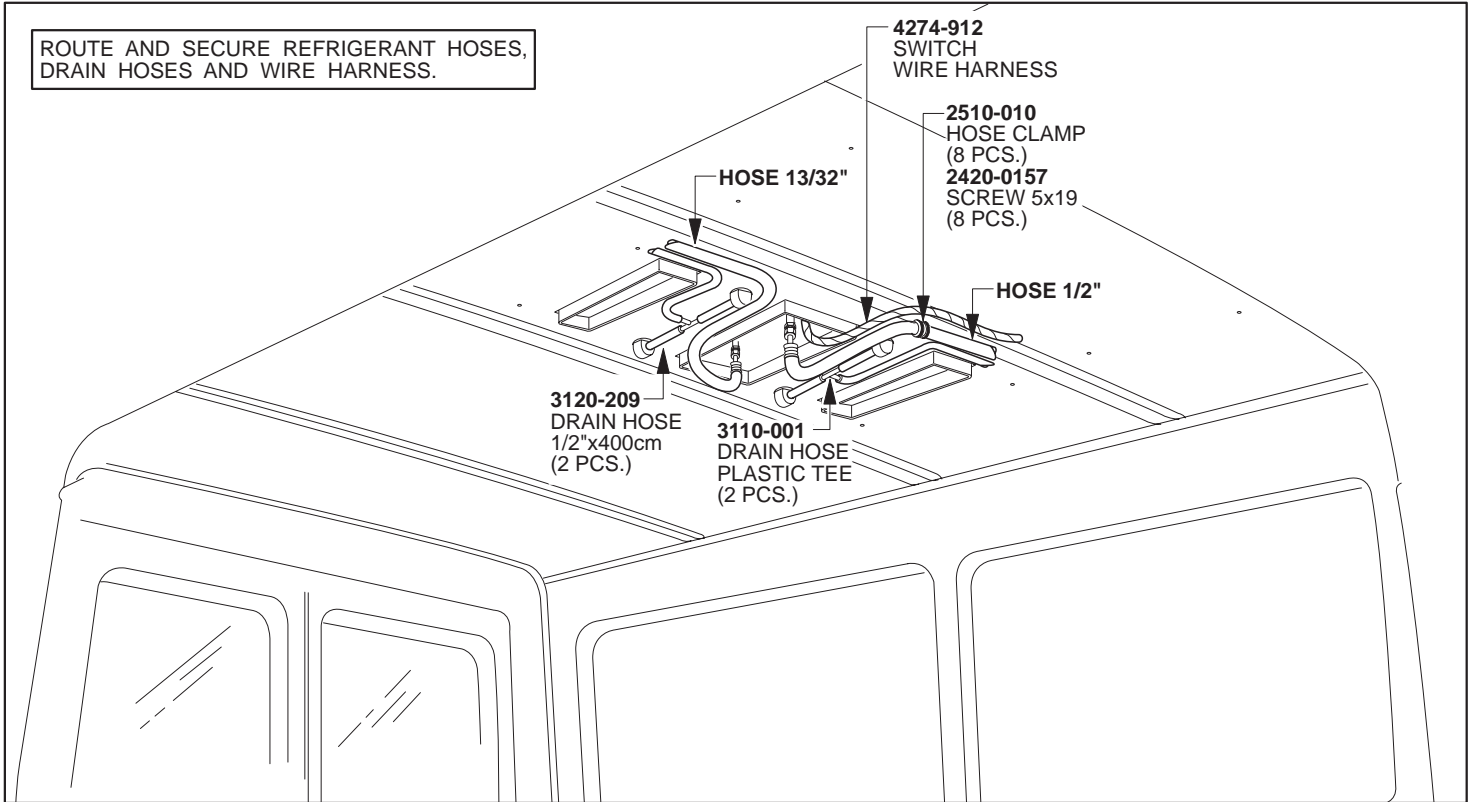


DETAIL D

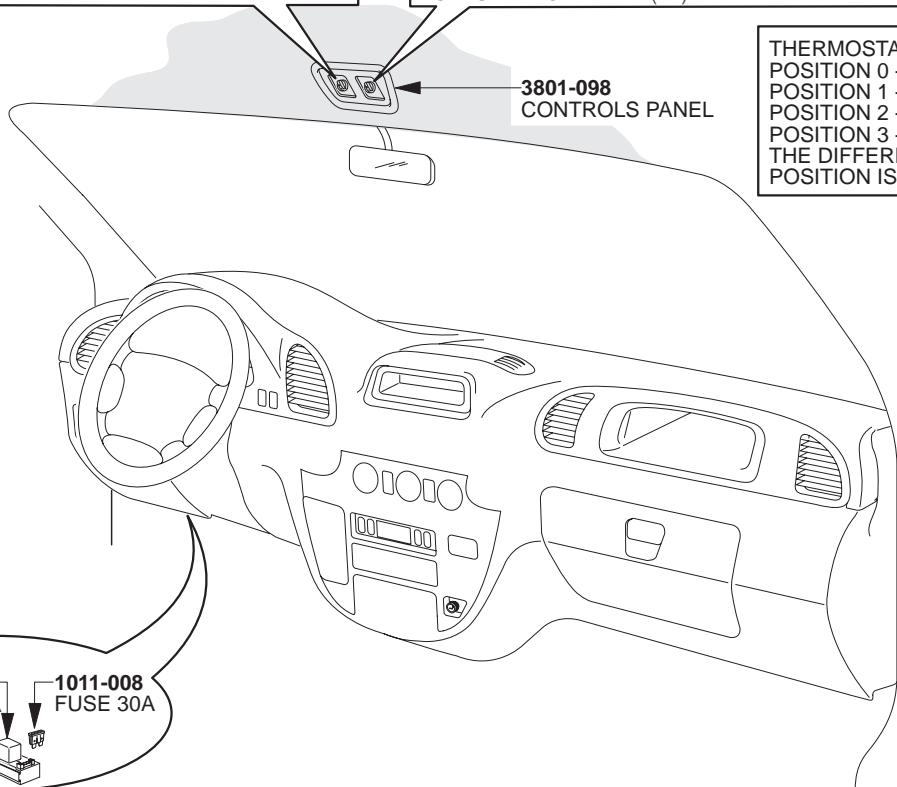
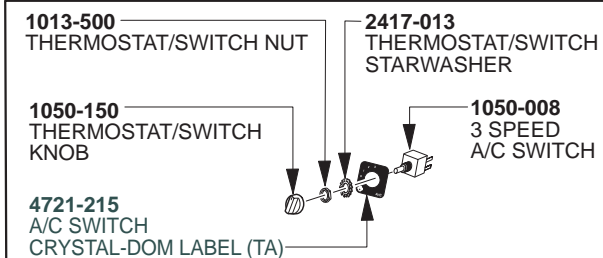
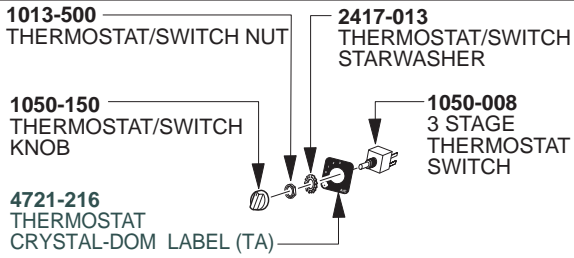
DETAIL E



INSTALL AIR INTAKE ADAPTOR AND 2 AIR OUTLET ADAPTORS USING SIKAFLEX .



CONTROLS CAN BE INSTALLED IN THE CEILING USING SUPPLIED PANEL OR IN DASHBOARD WITHOUT THE PANEL.



THERMOSTAT FUNCTION:
 POSITION 0 - AIR CIRCULATION ONLY.
 POSITION 1 - COLD AIR.
 POSITION 2 - COLDER AIR.
 POSITION 3 - COLDEST AIR.
 THE DIFFERENCE BETWEEN EACH POSITION IS ABOUT 3° C.

